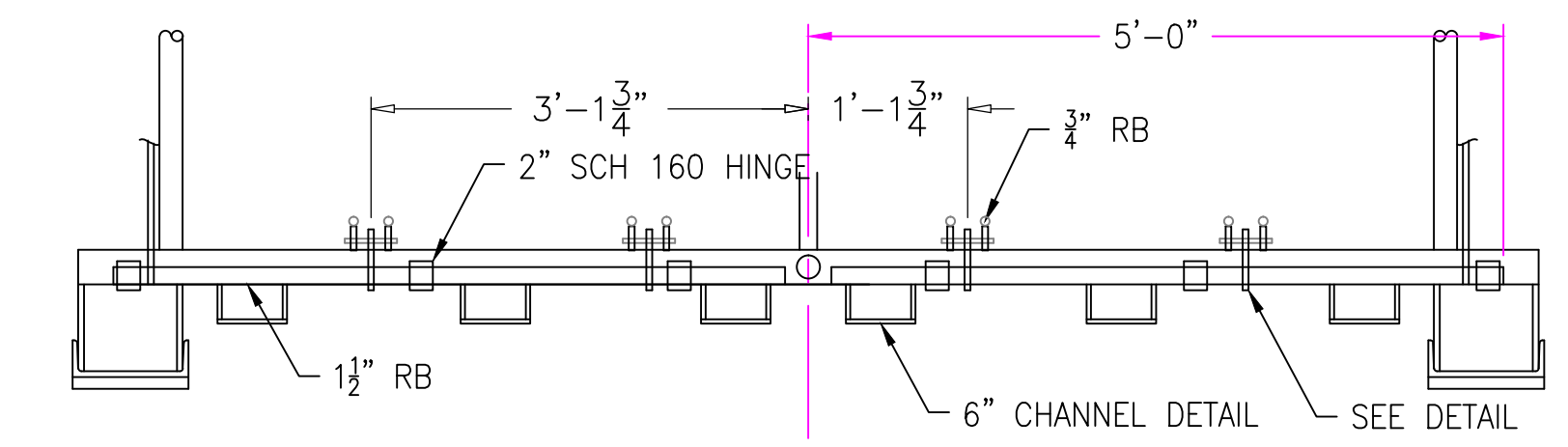
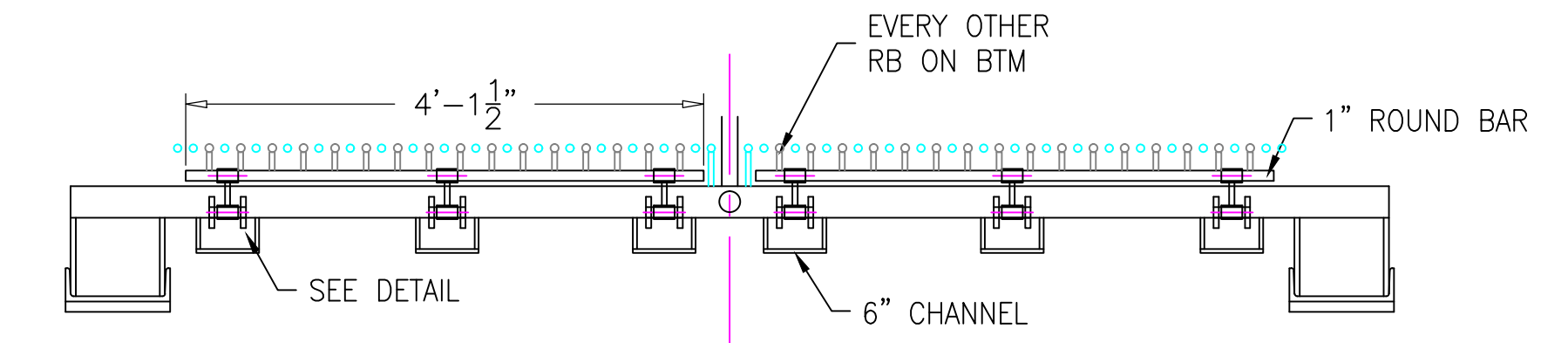


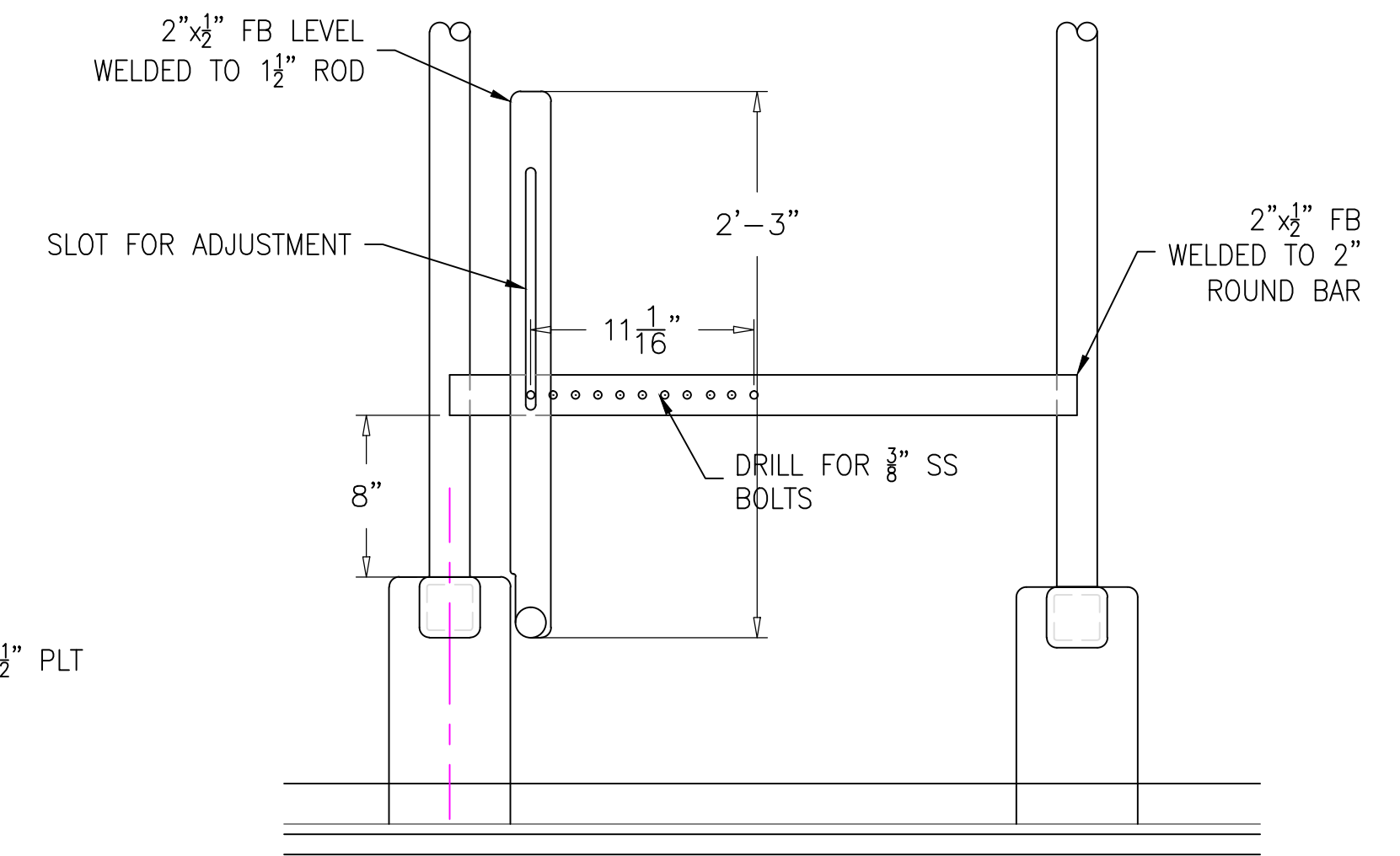
BOTTOM VIEW  
LOOKING DOWN



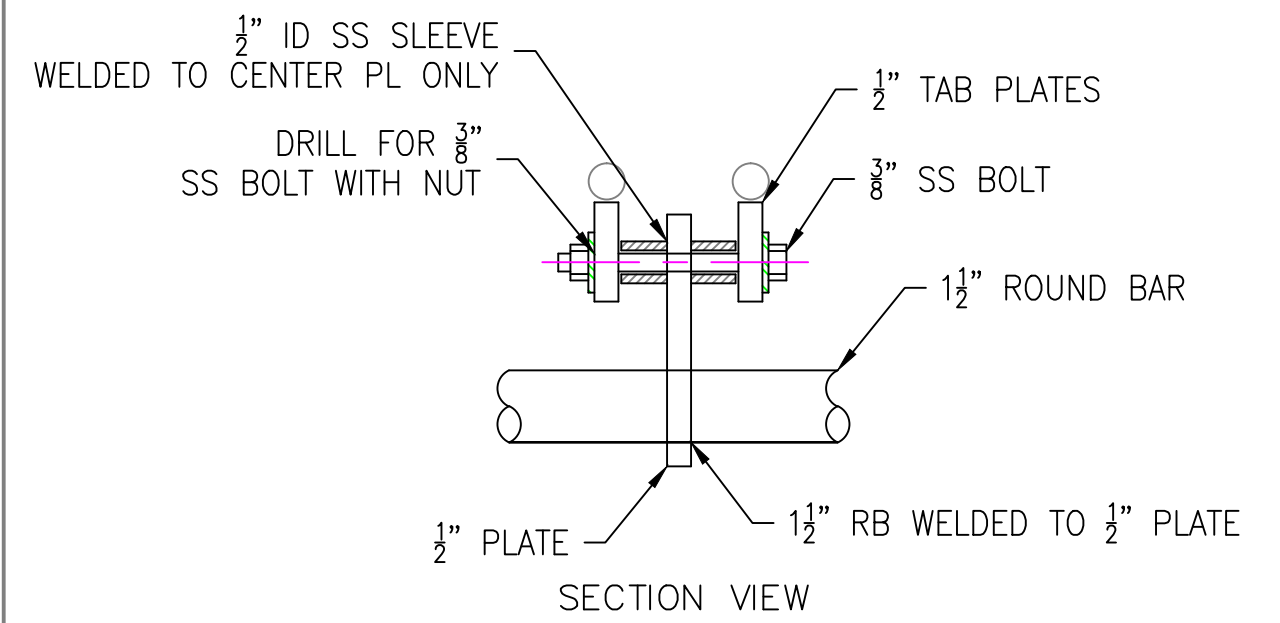
SECTION 102-1  
CONTROLABLE ROUND BAR HINGE  
CONTROL ROD



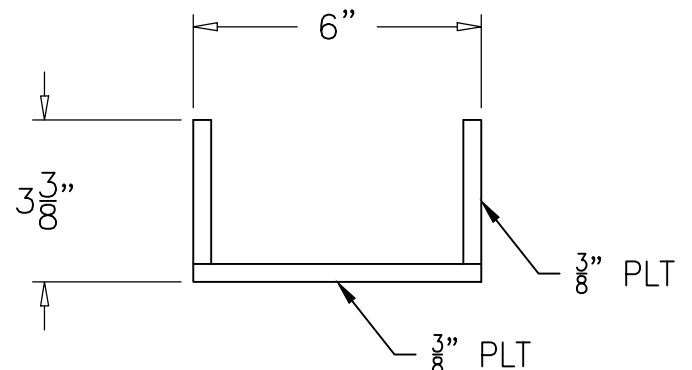
SECTION 102-1  
ADJUSTABLE ROUND BAR HINGE  
DEPENDENT ROD



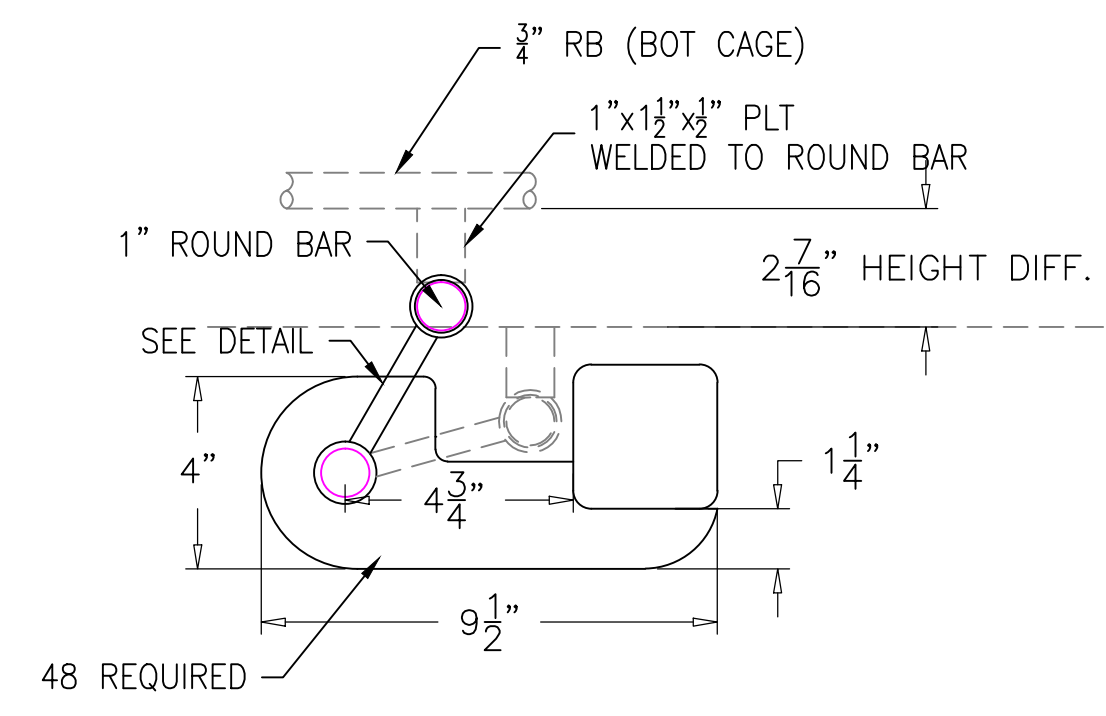
SIDE VIEW - LOOKING AT DREDGE  
ADJUSTMENT LEVER AND LOCK  
UP (CLOSED) POSITION SHOWN  
PORT SHOWN - STBD OPPOSITE



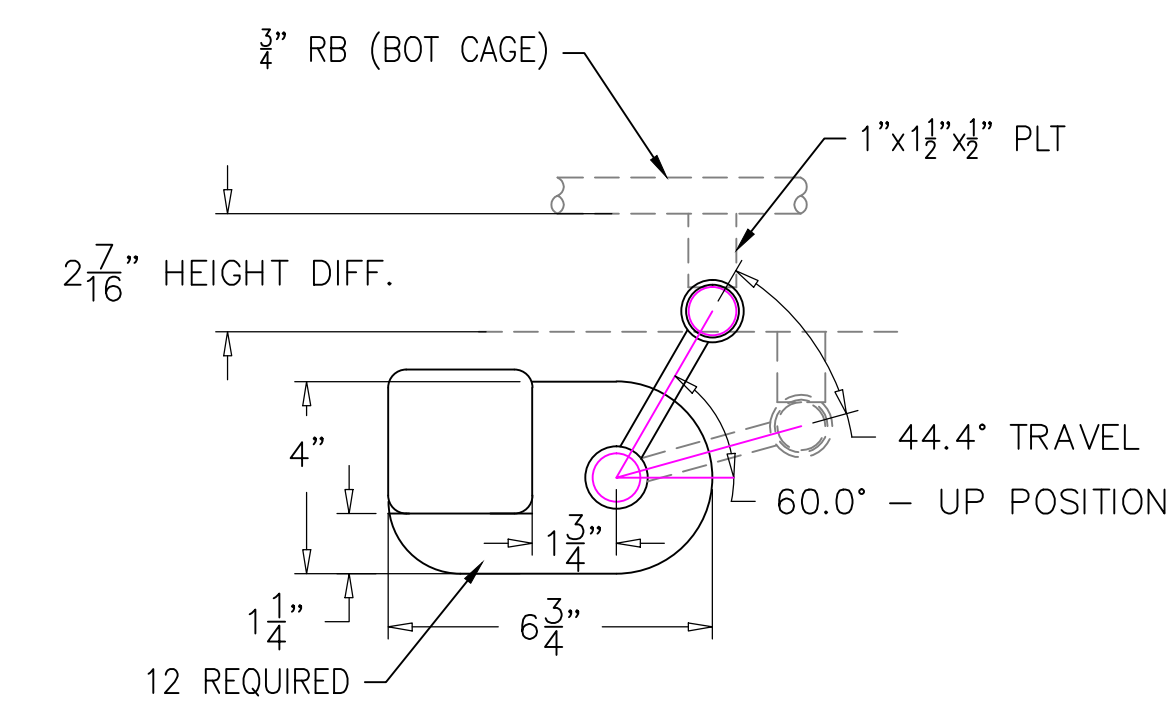
SECTION VIEW



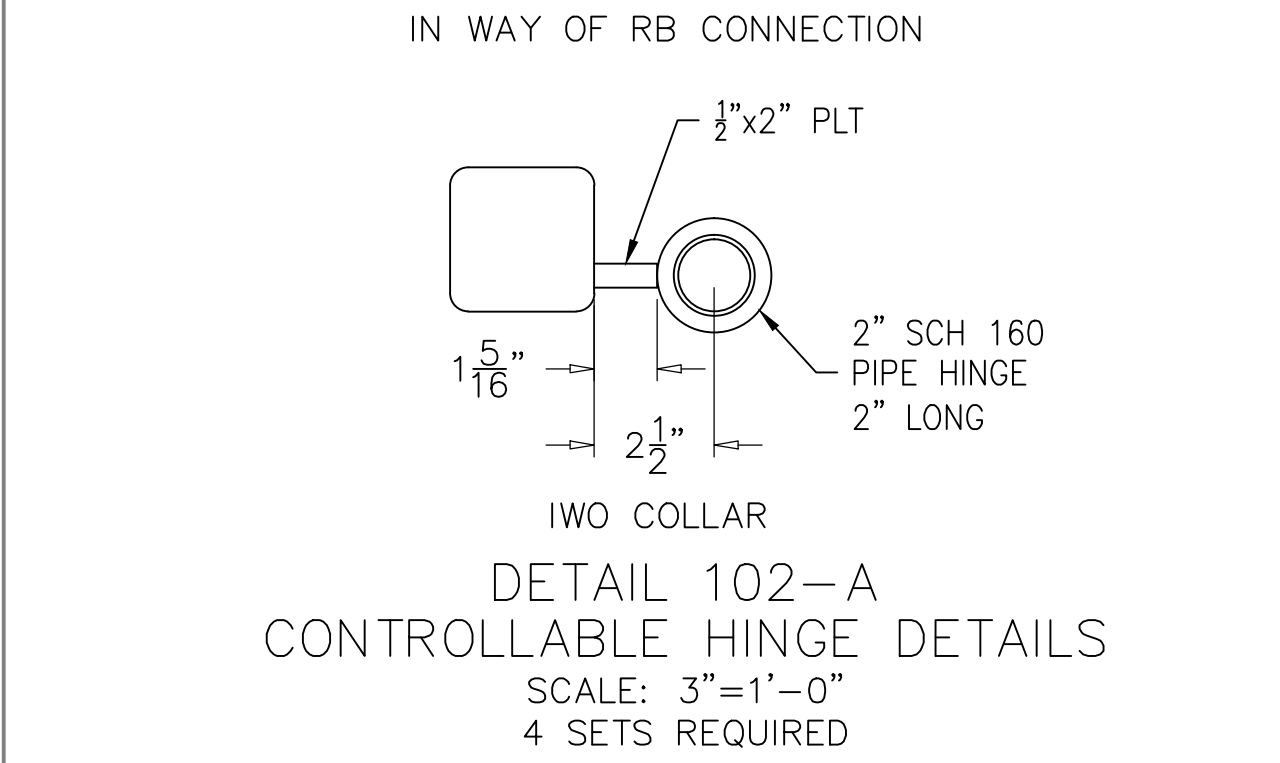
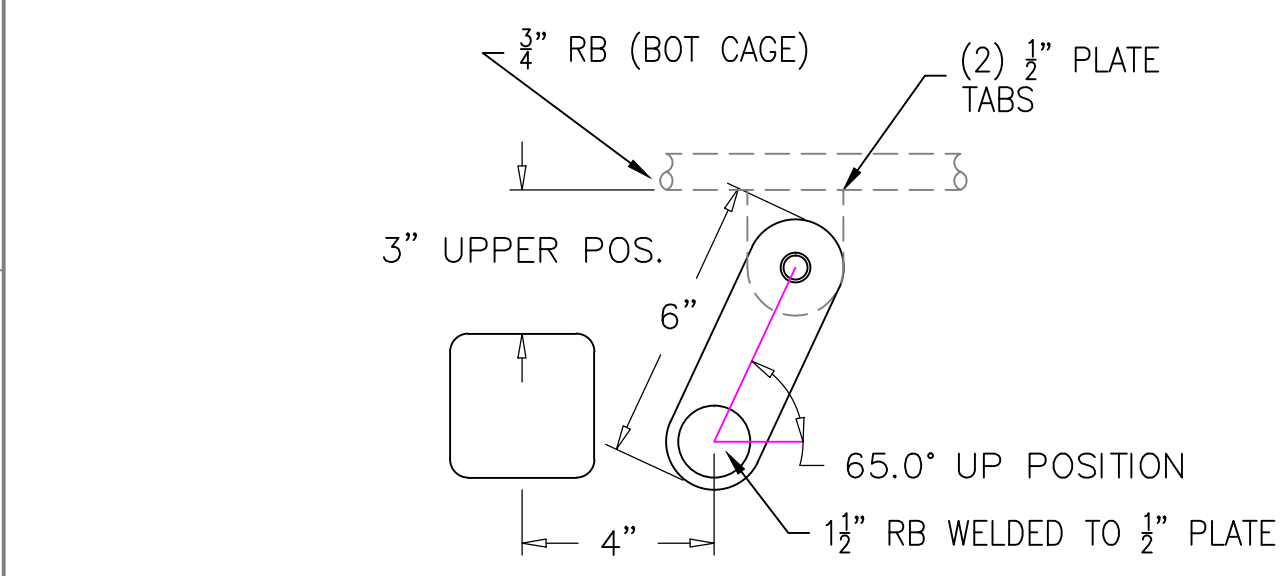
CHANNEL DETAILS  
SCALE: 3"=1'-0"



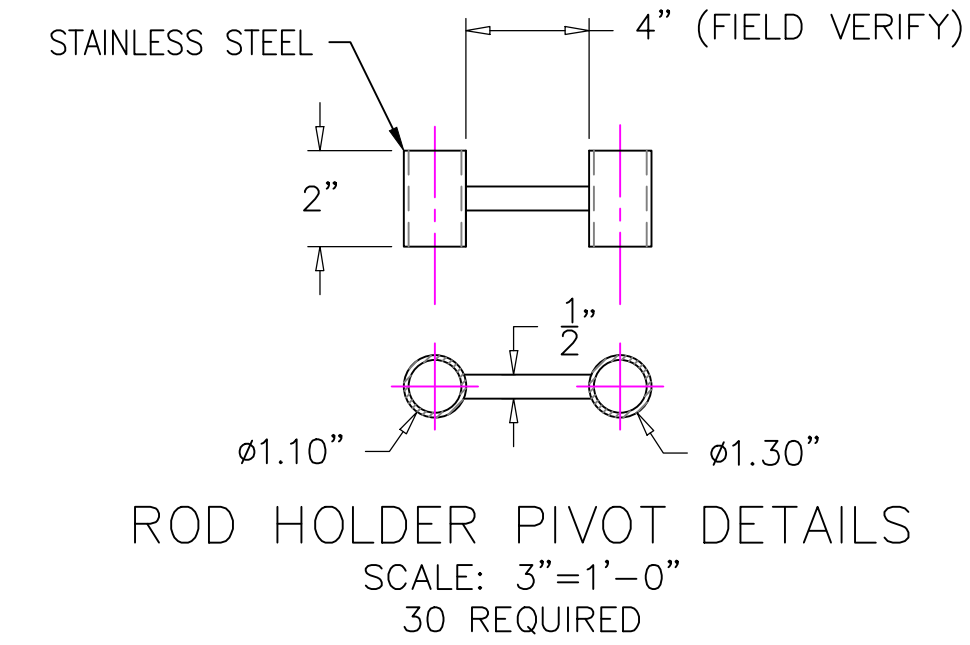
DETAIL 102-B  
ADJUSTABLE HINGE DETAILS  
SCALE: 3"=1'-0"



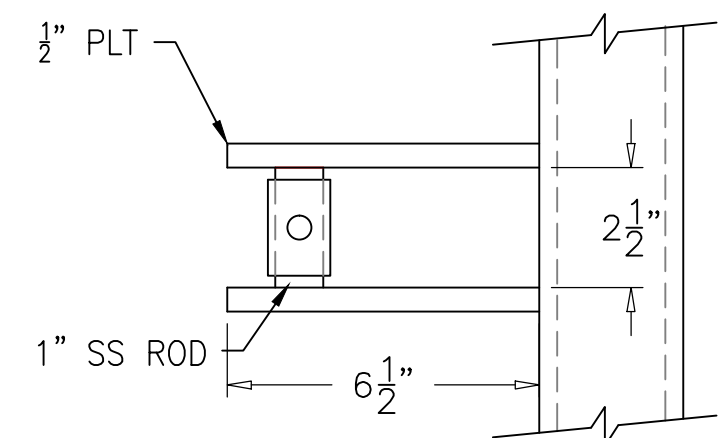
DETAIL 102-C  
ADJUSTABLE HINGE DETAILS  
AFT SET ONLY  
SCALE: 3"=1'-0"



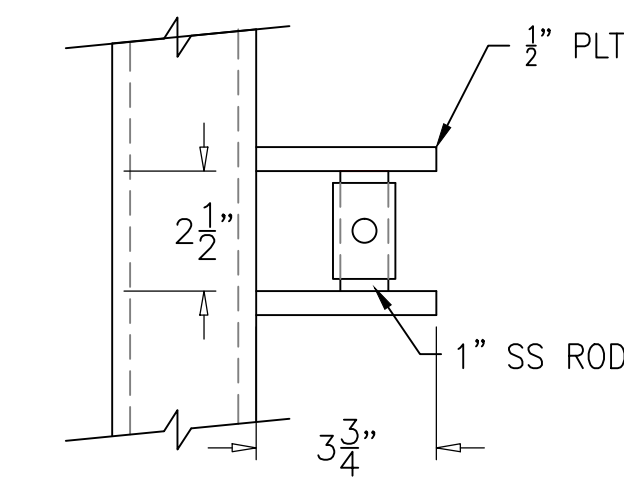
DETAIL 102-A  
CONTROLLABLE HINGE DETAILS  
SCALE: 3"=1'-0"  
4 SETS REQUIRED



ROD HOLDER PIVOT DETAILS  
SCALE: 3"=1'-0"  
30 REQUIRED



DETAIL 102-B  
ADJUSTABLE HINGE DETAILS  
SCALE: 3"=1'-0"



DETAIL 102-C  
ADJUSTABLE HINGE DETAILS  
AFT SET ONLY  
SCALE: 3"=1'-0"

ALT	REVISION	DATE:
THIS DRAWING/DOCUMENT IS CONFIDENTIAL AND THE PROPERTY OF THOMAS M. FARRELL AND GARRETT NORTON AND MUST NOT BE USED FOR MANUFACTURE, COPIED OR COMMUNICATED TO ANY OTHER PERSON WITHOUT EXPRESS PERMISSION.		
<b>FARRELL &amp; NORTON NAVAL ARCHITECTS</b> NAVAL ARCHITECTS AND MARINE ENGINEERS PO BOX 66 NEWCASTLE, ME 04553 (207) 563-3210 (THOMAS) (617) 308-1074 (GARRETT)		
<b>SELECTIVITY DETAILS</b>		
PROJECT: 102IN DREDGE DETAILS		
DRAWN BY: TMF	DATE: 04/01/21	
APPROVED BY: GJN	SCALE: 3/4" = 1'-0"	
DWG #: C-779-102	ALT: 0	