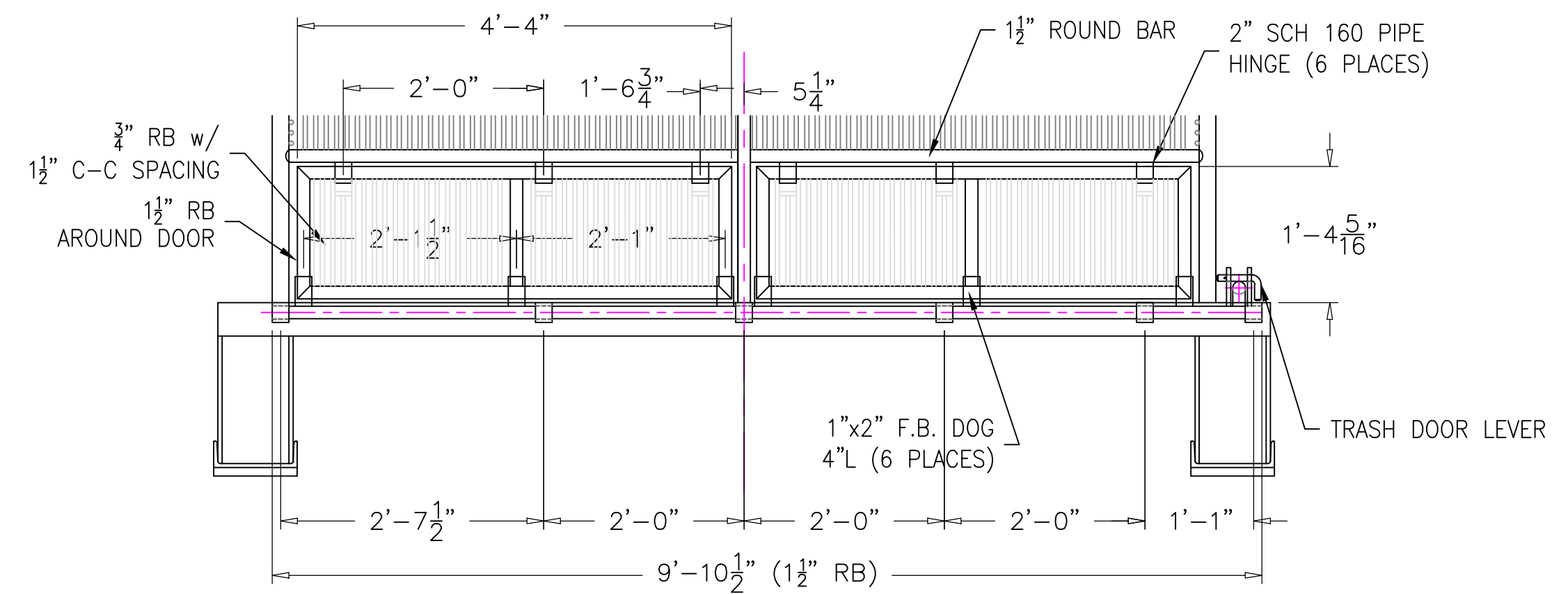
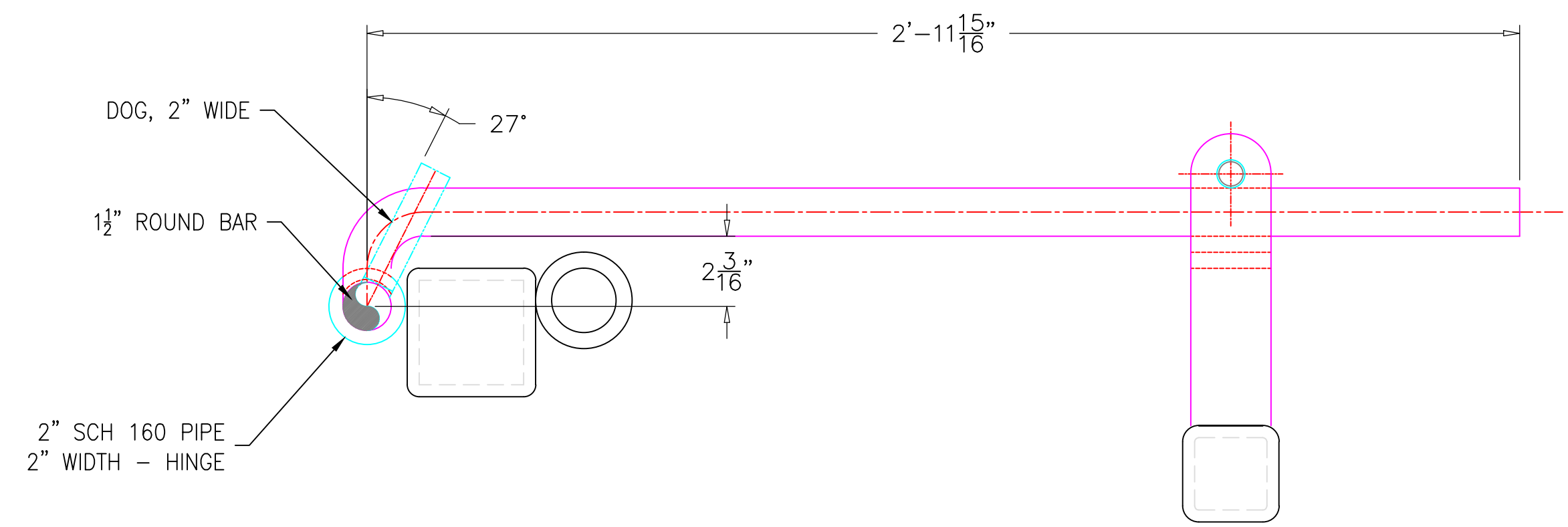


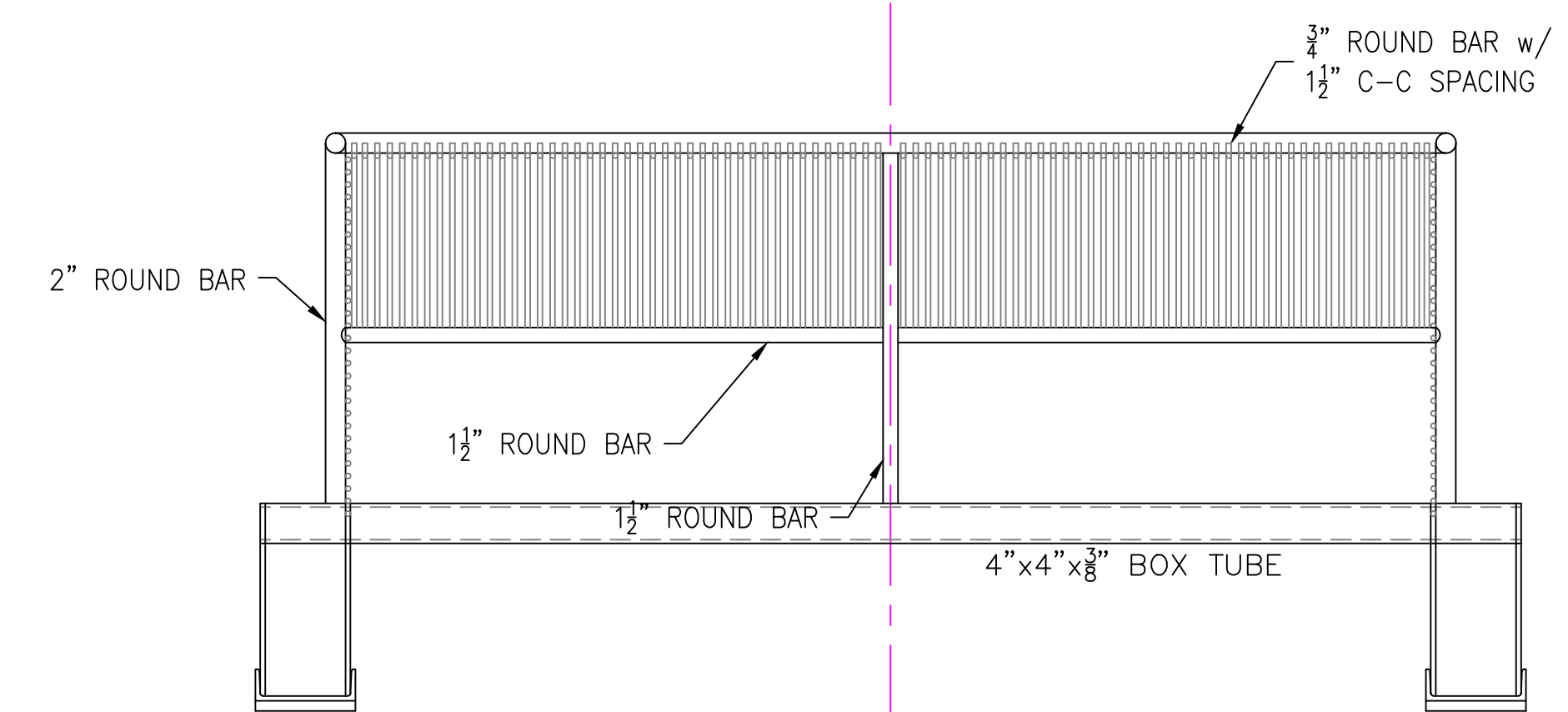
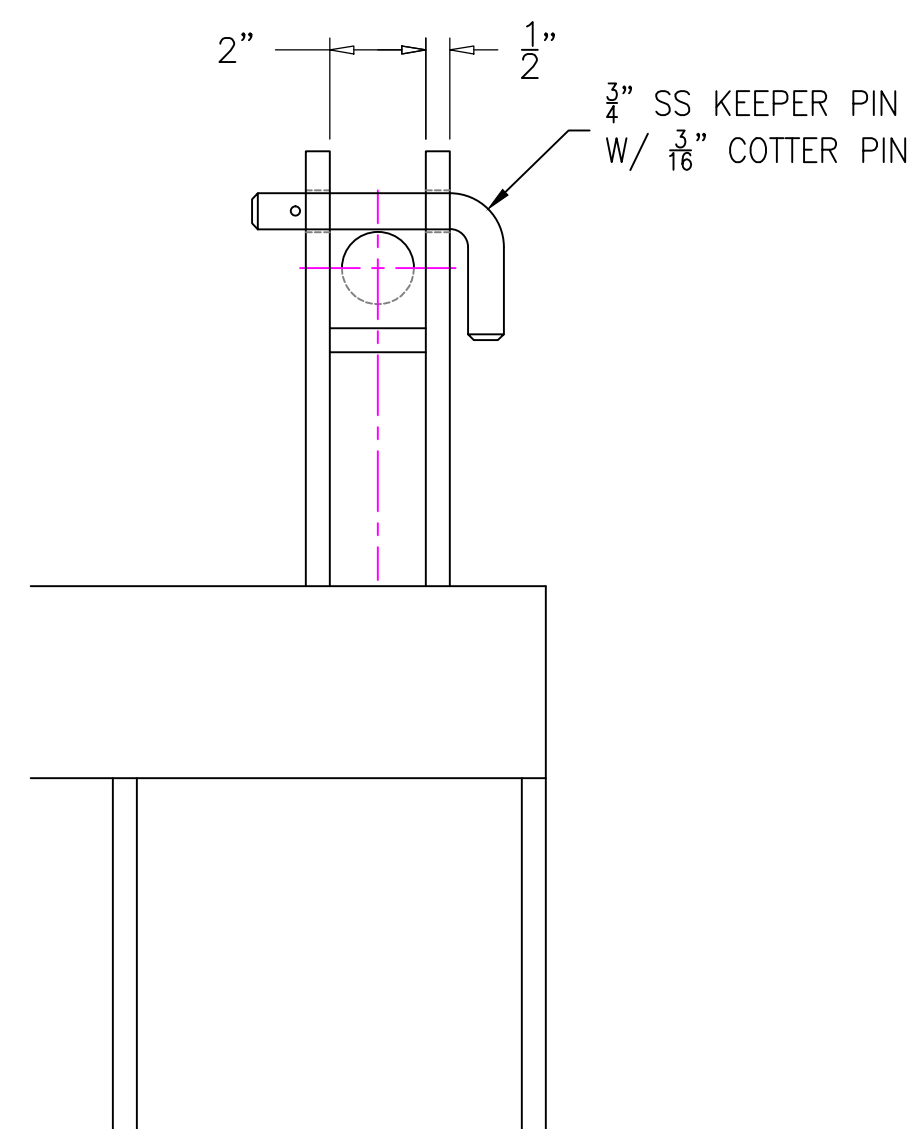
TYPICAL TRANSVERSE SECTION
LOOKING FORWARD



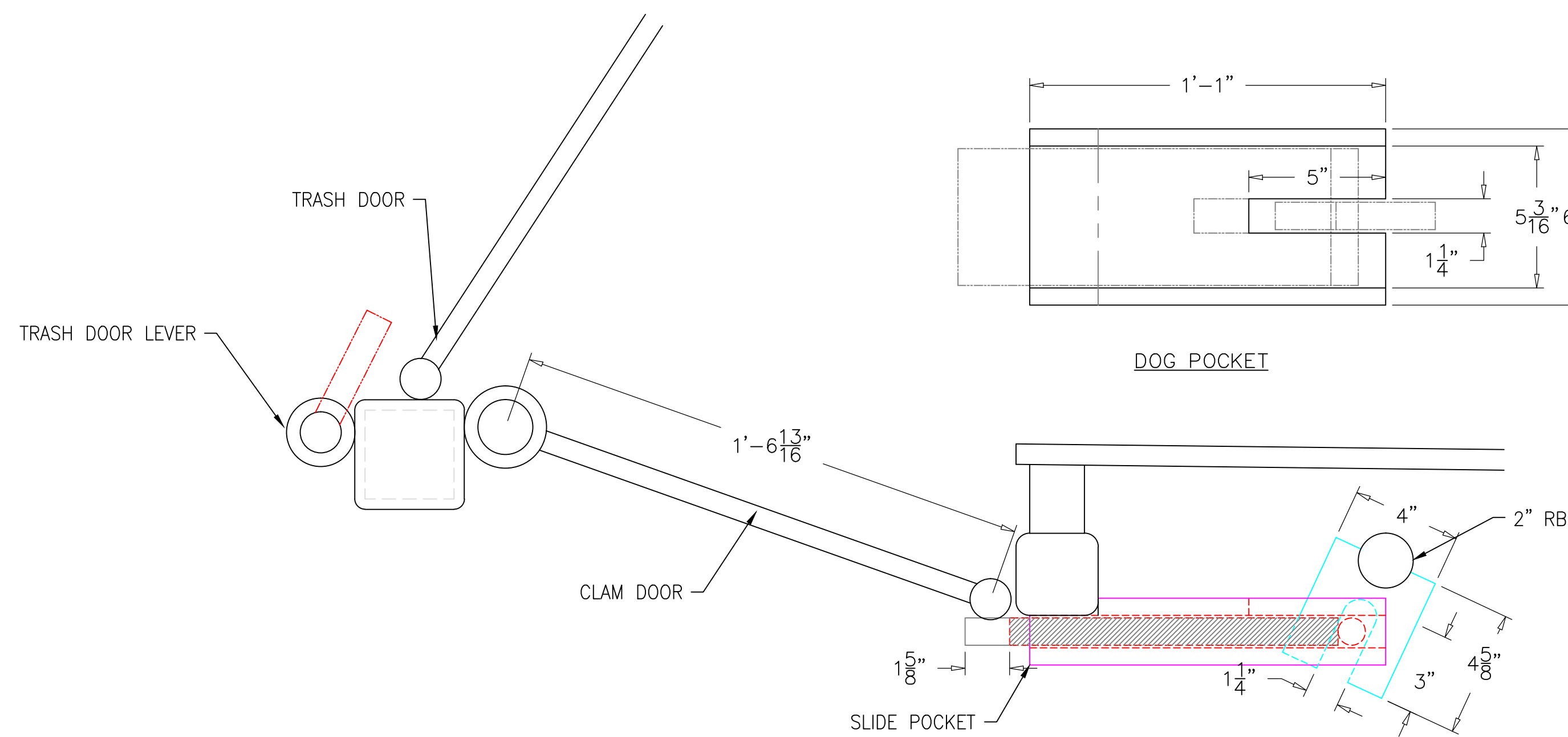
TRASH DOOR DETAILS
EXPANDED VIEW



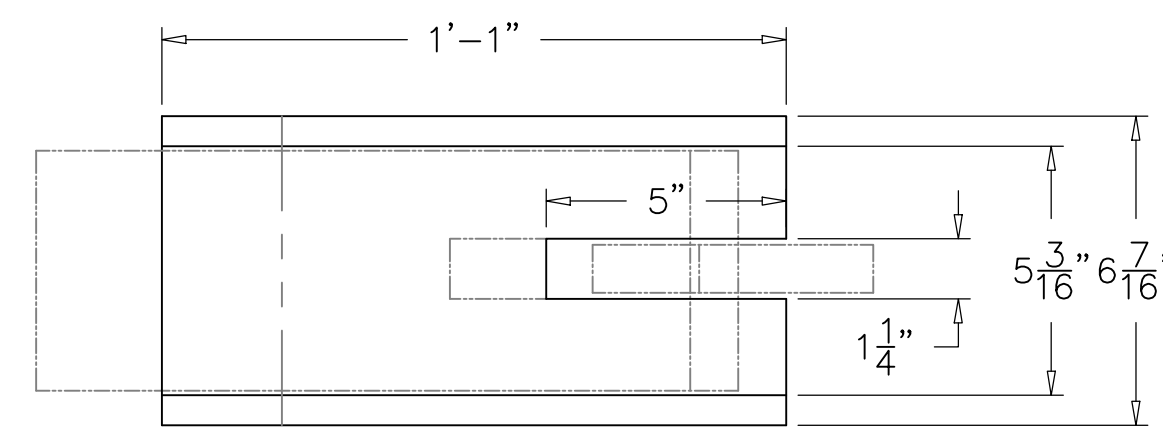
TRASH DOOR LEVER DETAILS
SCALE: 3"=1'-0"



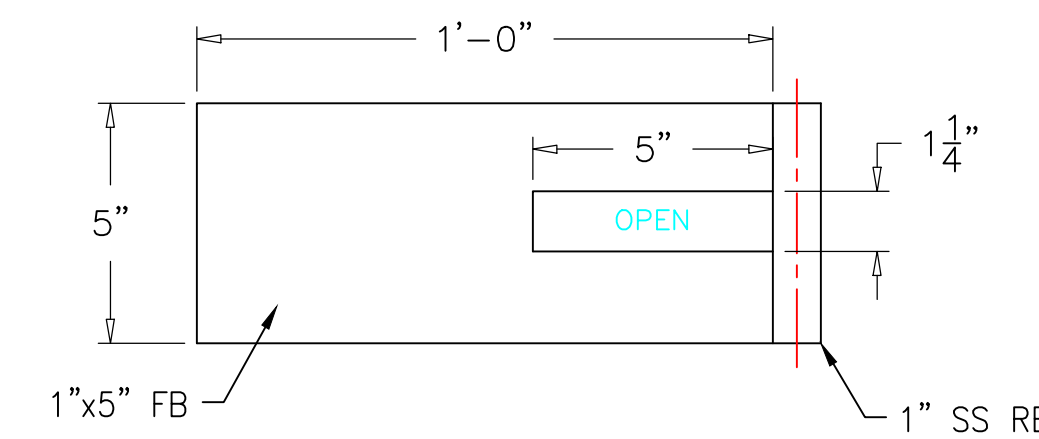
TRASH DOOR OPENING
LOOKING FORWARD



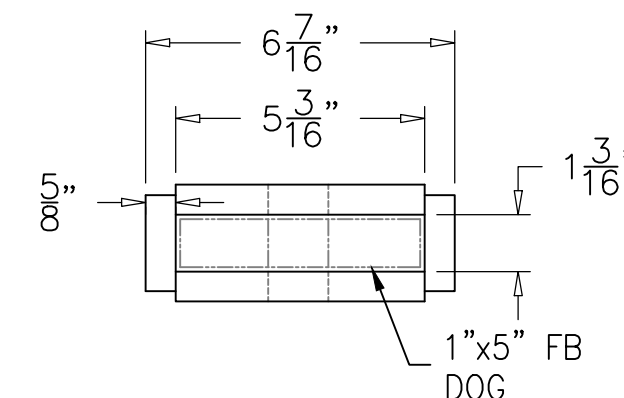
SLIDING DOG ASSEMBLY
SCALE: 3"=1'-0"



DOG POCKET



DOG



DOG

ALT	REVISION	DATE:
THIS DRAWING/DOCUMENT IS CONFIDENTIAL AND THE PROPERTY OF THOMAS M. FARRELL AND GARRETT NORTON AND MUST NOT BE USED FOR MANUFACTURE, COPIED OR COMMUNICATED TO ANY OTHER PERSON WITHOUT EXPRESS PERMISSION.		
FARRELL & NORTON NAVAL ARCHITECTS NAVAL ARCHITECTS AND MARINE ENGINEERS		
PO BOX 66 (207) 563-3210 (THOMAS)		NEWCASTLE, ME 04553 (617) 308-1074 (GARRETT)
DREDGE SECTION DETAILS		
PROJECT: 102IN DREDGE DETAILS		
DRAWN BY: TMF	DATE: 04/01/21	
APPROVED BY: GJN	SCALE: 3/4" = 1'-0"	
DWG #: C-779-104	ALT: 0	