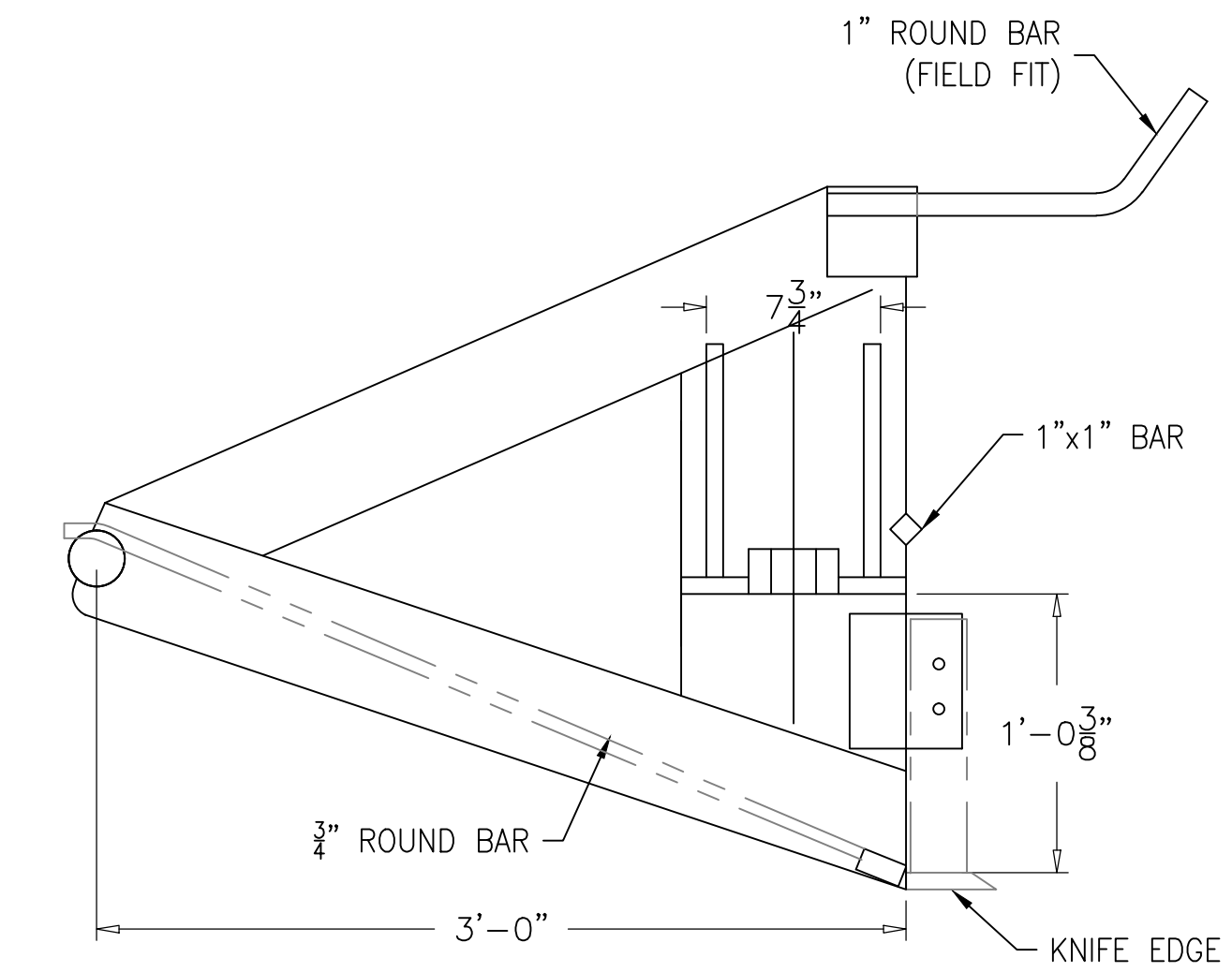
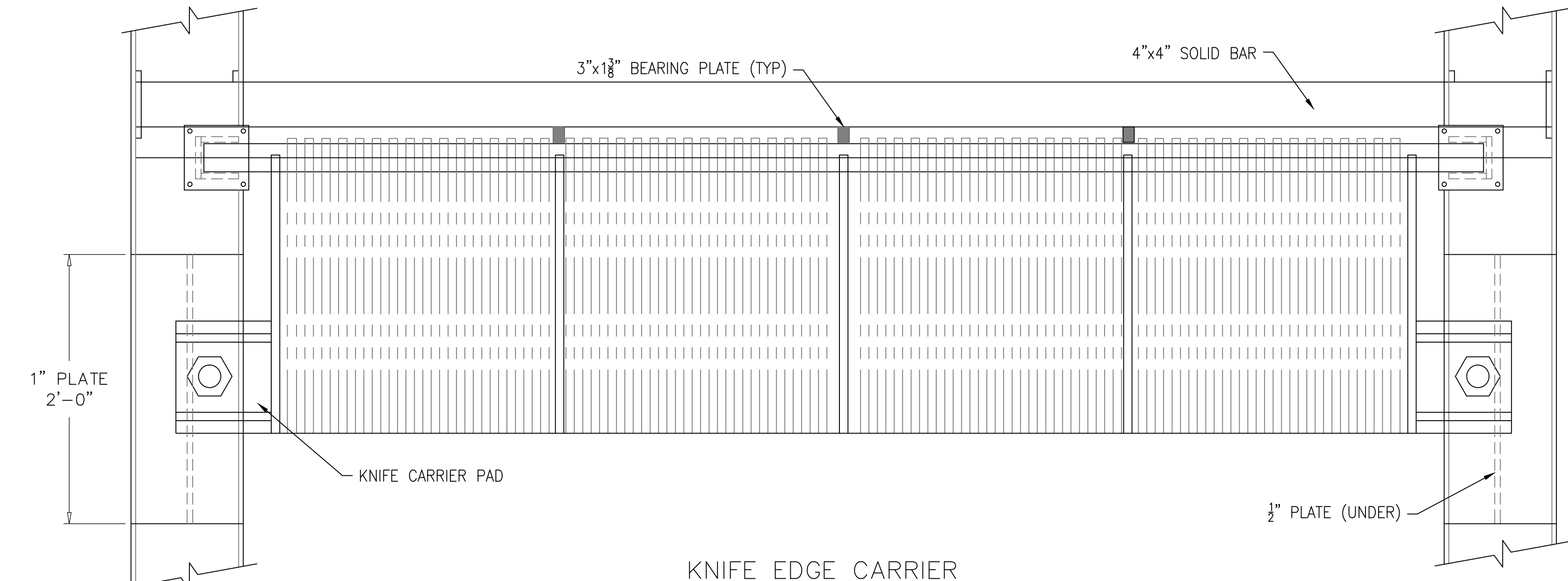


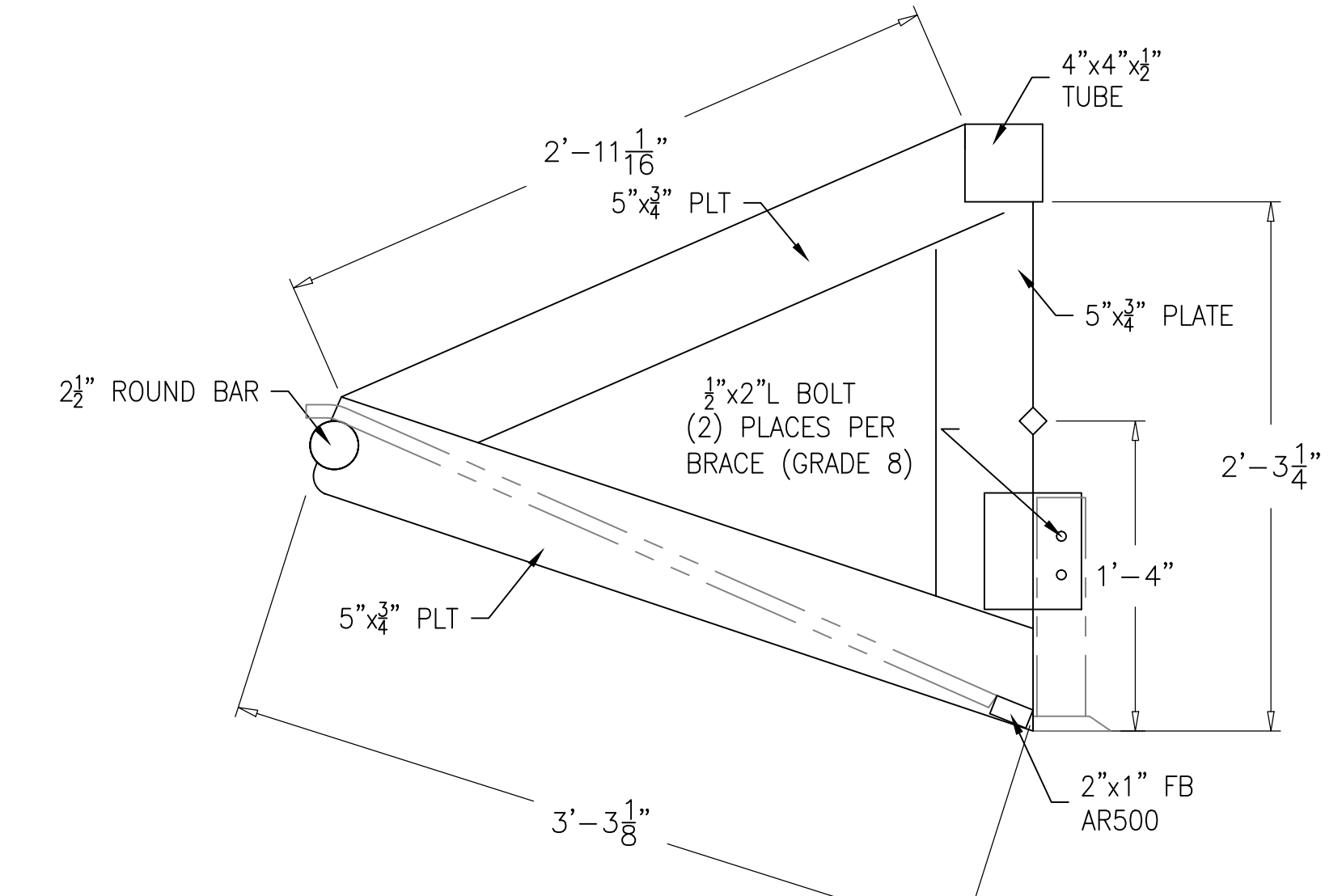
KNIFE EDGE CARRIER  
PLAN VIEW - CONNECTION DETAILS



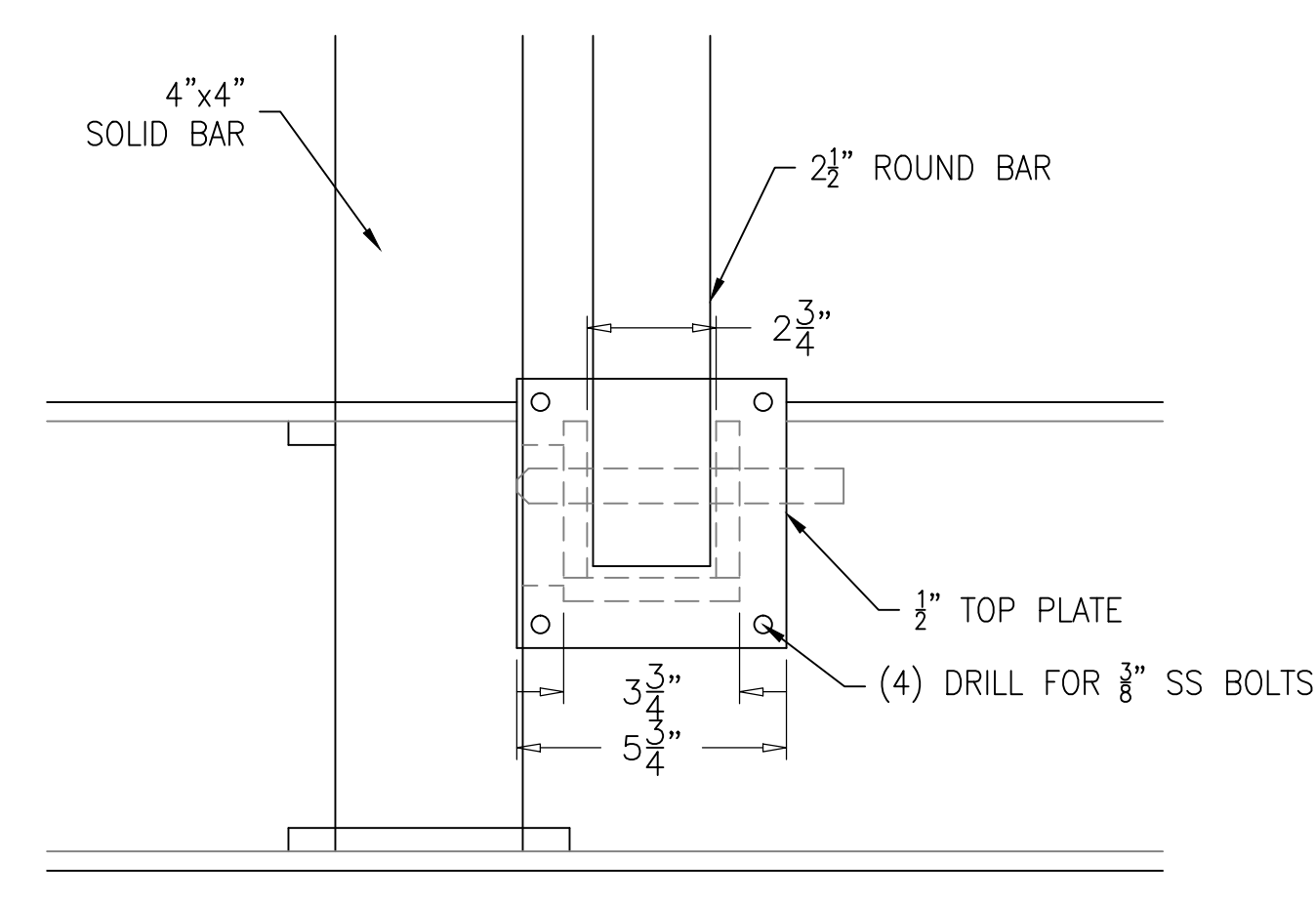
KNIFE EDGE END SUPPORT



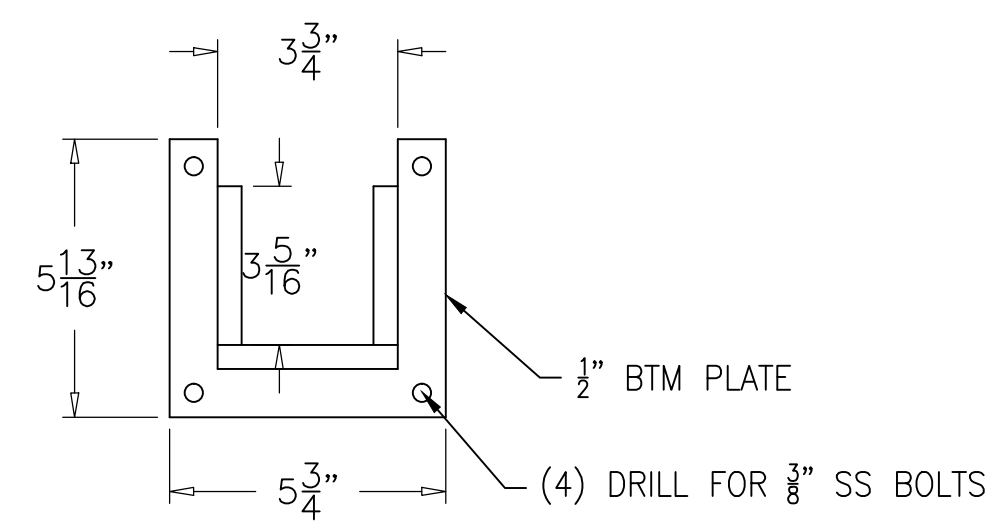
KNIFE EDGE CARRIER  
PLAN VIEW - CONNECTION DETAILS



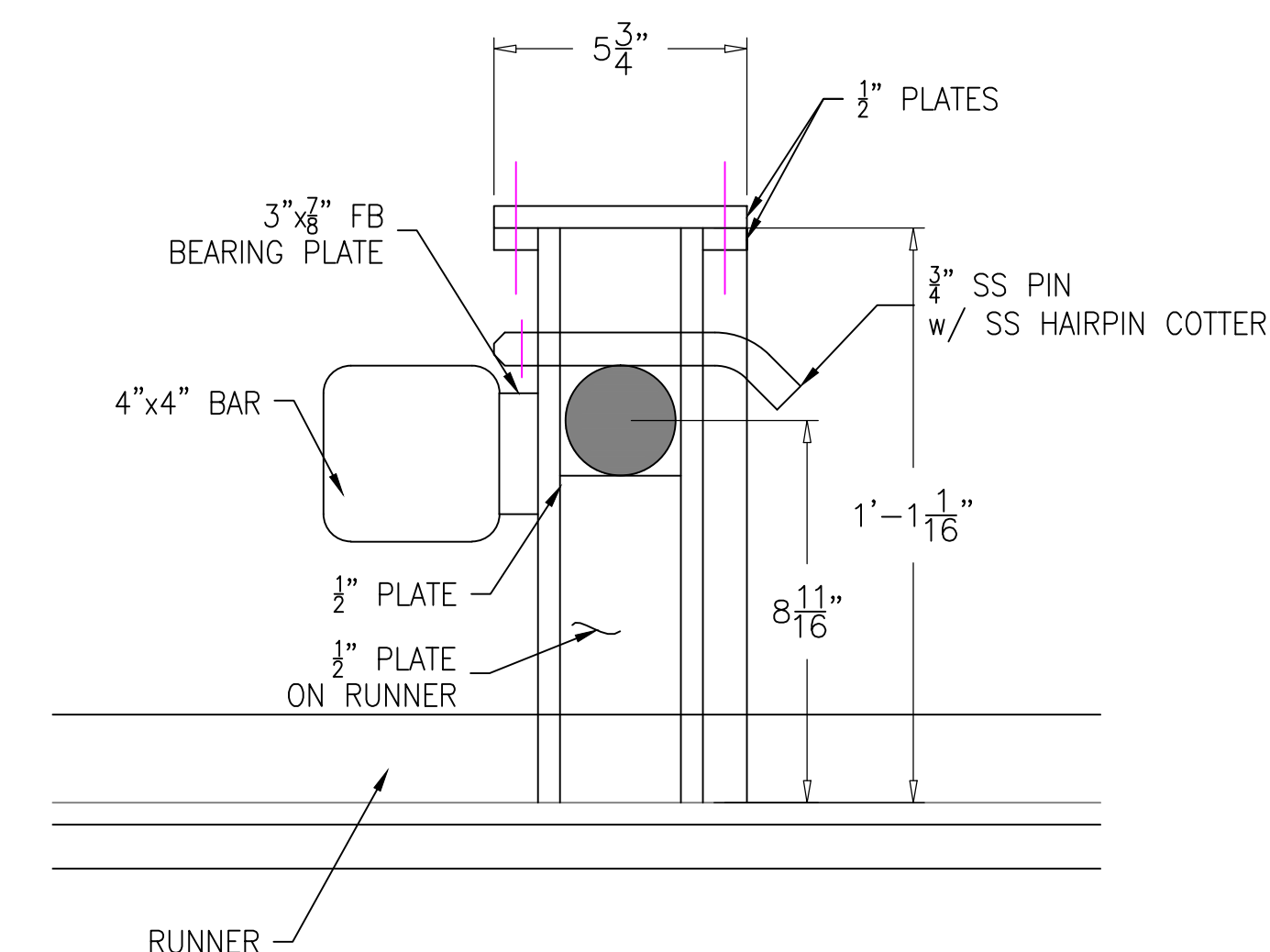
KNIFE EDGE SUPPORT



KNIFE EDGE CONNECTION  
PLAN VIEW  
SCALE: 3"=1'-0"



BTM PLATE



KNIFE EDGE CONNECTION  
PROFILE VIEW  
SCALE: 3"=1'-0"

ALT	REVISION	DATE:
THIS DRAWING/DOCUMENT IS CONFIDENTIAL AND THE PROPERTY OF THOMAS M. FARRELL AND GARRETT NORTON AND MUST NOT BE USED FOR MANUFACTURE, COPIED OR COMMUNICATED TO ANY OTHER PERSON WITHOUT EXPRESS PERMISSION.		
<b>FARRELL &amp; NORTON NAVAL ARCHITECTS</b>		
NAVAL ARCHITECTS AND MARINE ENGINEERS		
PO BOX 66 (207) 563-3210 (THOMAS)		NEWCASTLE, ME 04553 (617) 308-1074 (GARRETT)
<b>KNIFE EDGE DETAILS</b>		
PROJECT: 102IN DREDGE DETAILS		
DRAWN BY: TMF	DATE: 04/01/21	
APPROVED BY: GJN	SCALE: 3/4" = 1'-0"	
DWG #: C-779-105	ALT: 0	