

8

7

6

5

4

3

2

1

D

D

C

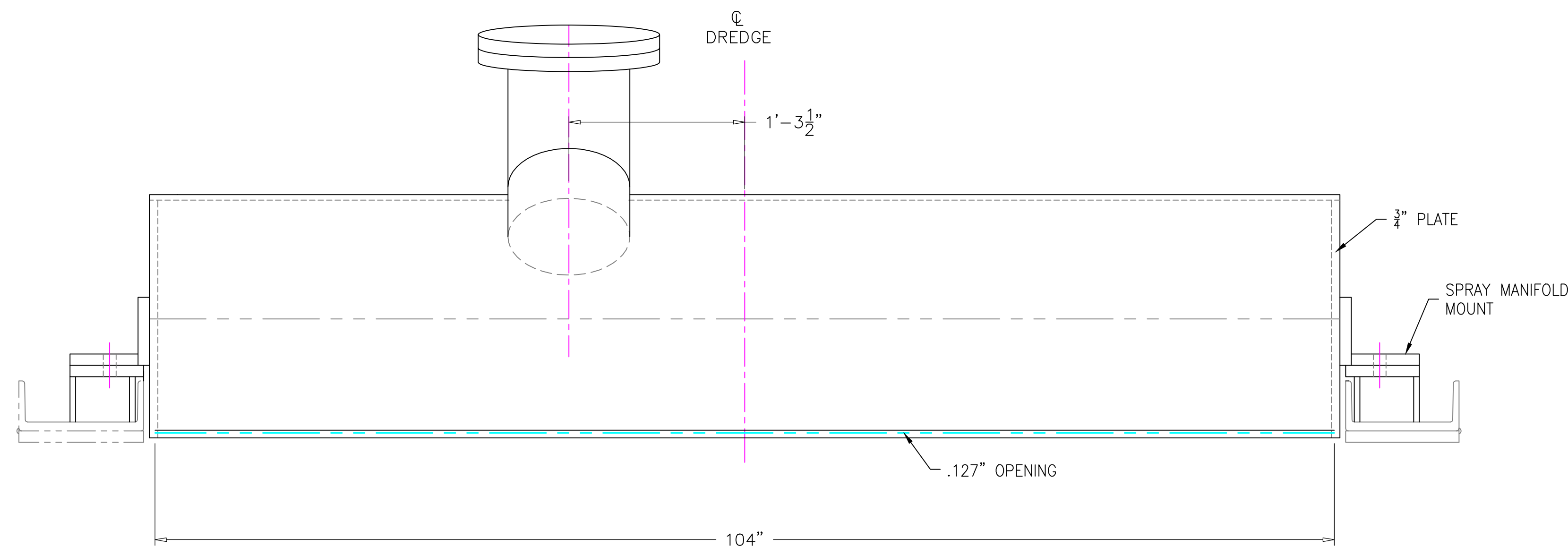
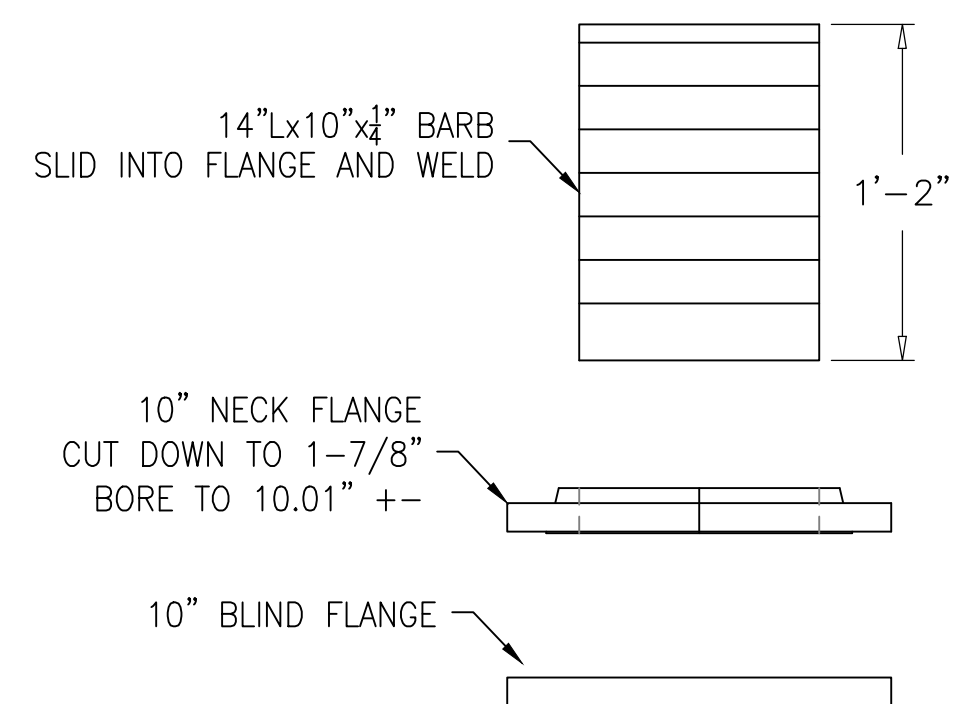
C

B

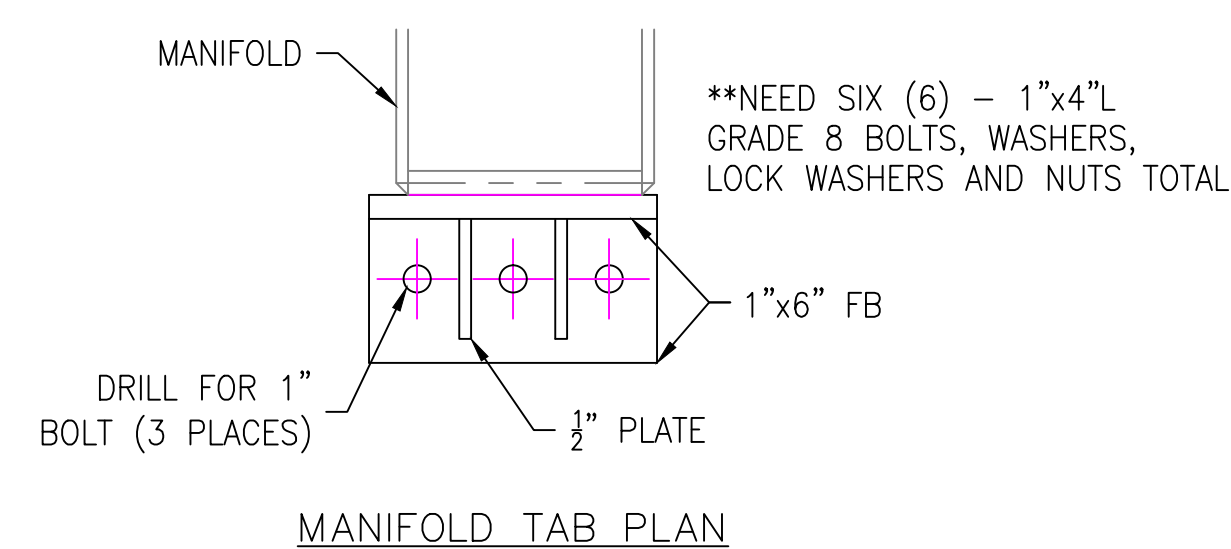
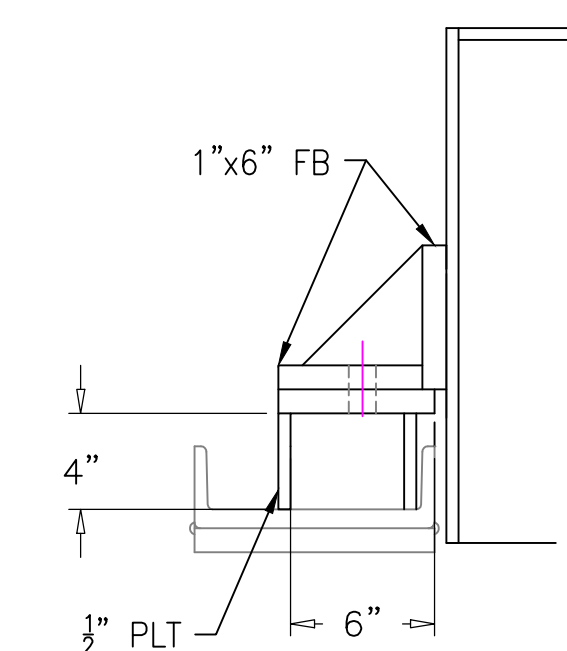
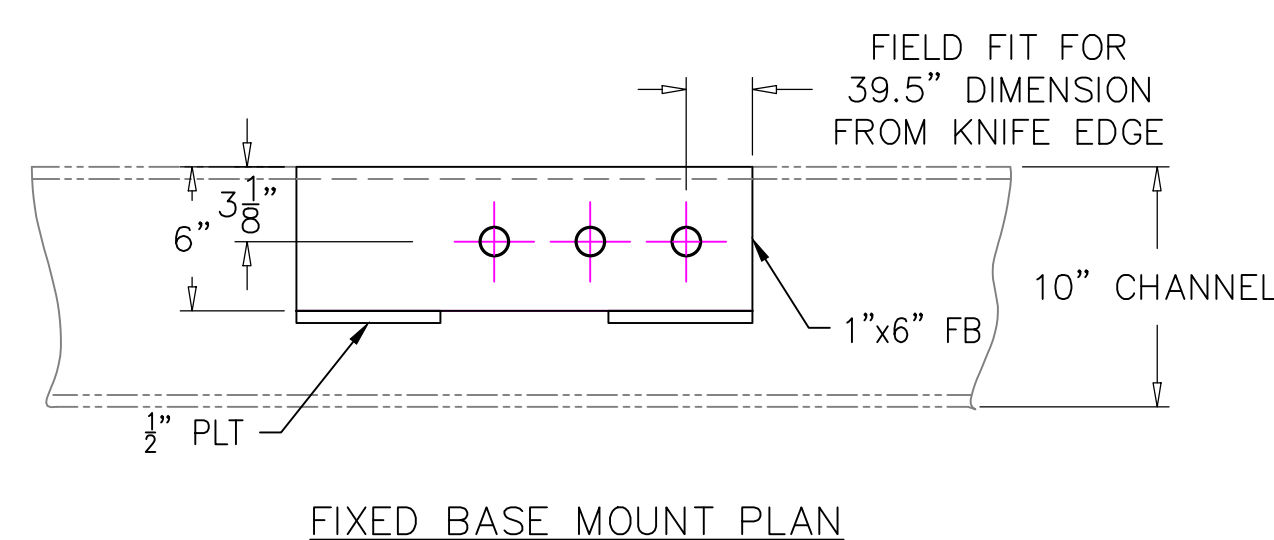
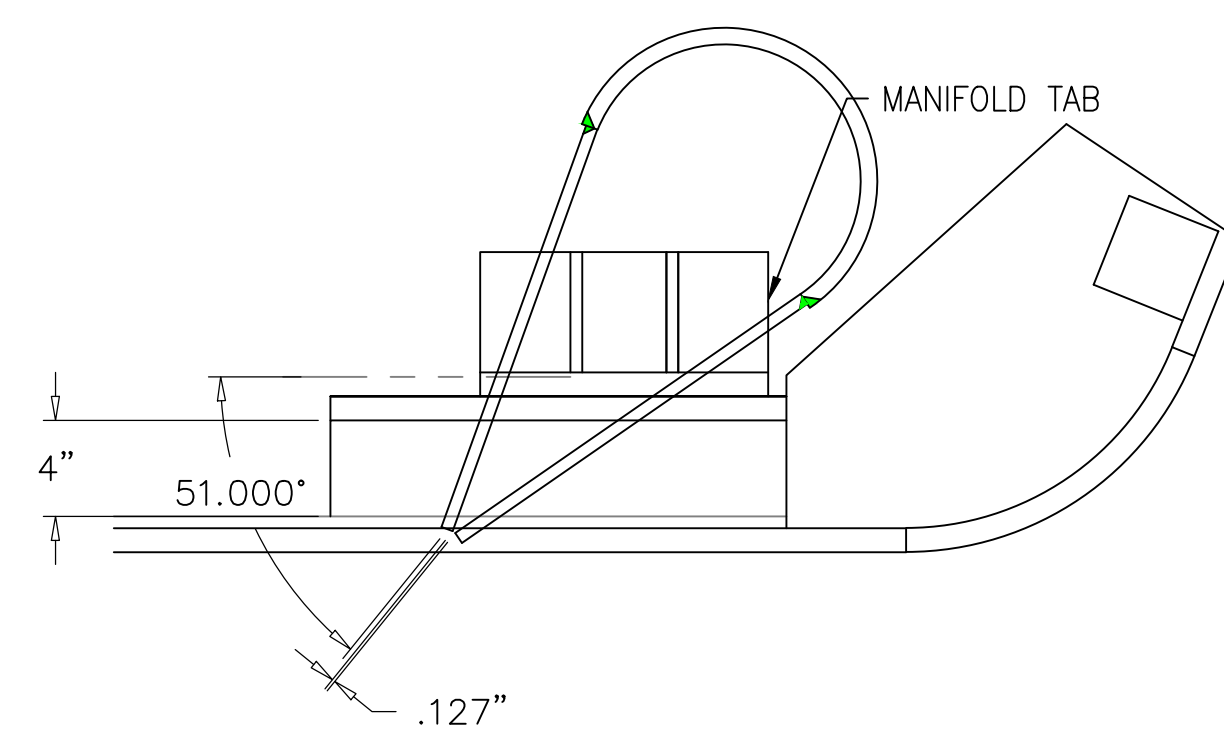
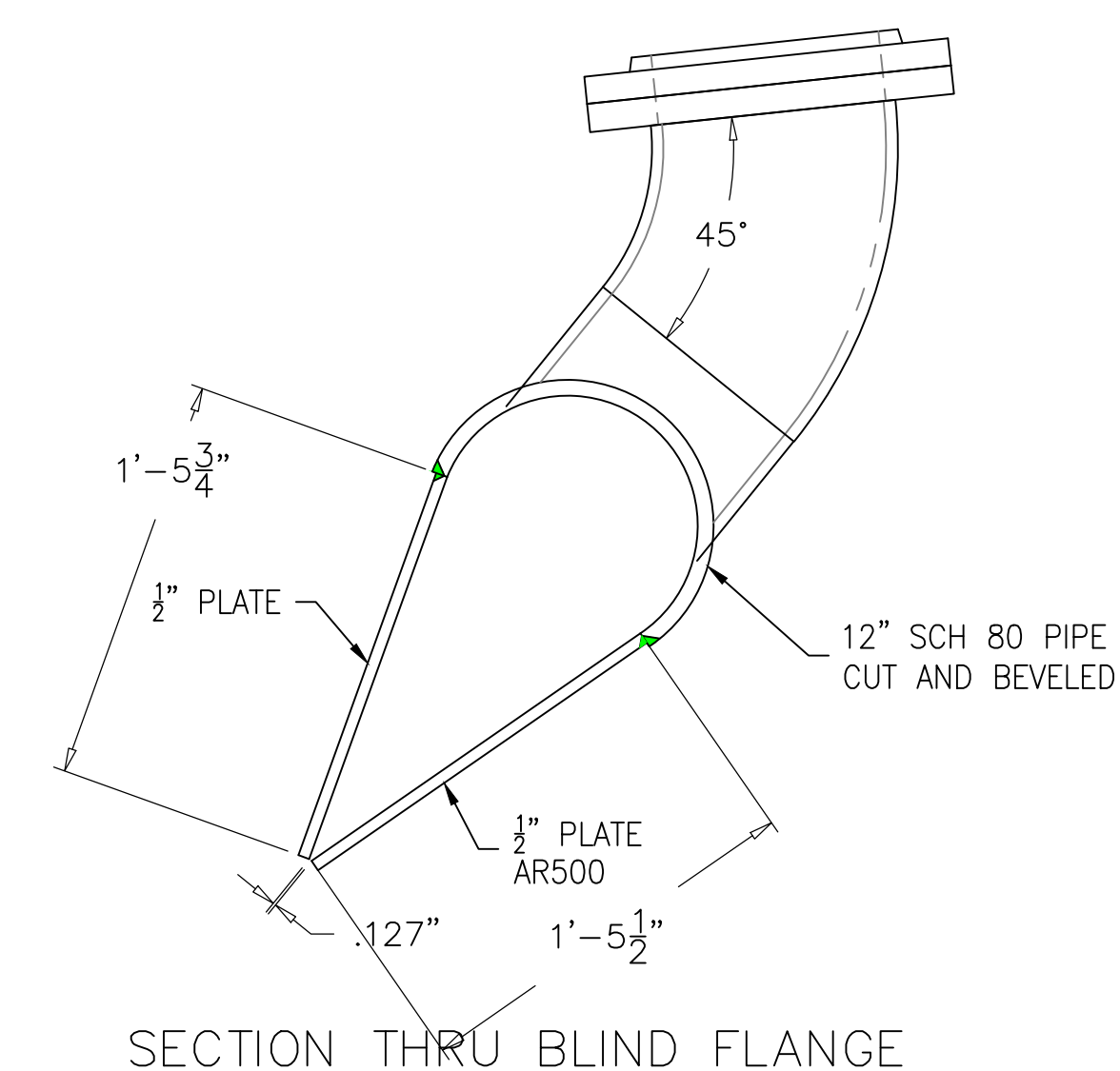
B

A

A



PROJECTED ASSEMBLY VIEW



2	-REVISED MANIFOLD CONSTRUCTION	08/01/23
1	-REVISED MANIFOLD PLATE SIZE	07/01/23
ALT	REVISION	DATE:

THIS DRAWING/DOCUMENT IS CONFIDENTIAL AND THE PROPERTY OF THOMAS M. FARRELL AND GARRETT NORTON AND MUST NOT BE USED FOR MANUFACTURE, COPIED OR COMMUNICATED TO ANY OTHER PERSON WITHOUT EXPRESS PERMISSION.

**FARRELL & NORTON NAVAL ARCHITECTS**  
 NAVAL ARCHITECTS AND MARINE ENGINEERS  
 PO BOX 66 NEWCASTLE, ME 04553  
 (207) 563-3210 (THOMAS) (617) 308-1074 (GARRETT)

**SPRAY MANIFOLD  
DETAILS**

PROJECT: 102IN DREDGE DETAILS - NEW MANIFOLD	
DRAWN BY: TMF	DATE: 04/01/21
APPROVED BY: GJN	SCALE: 3/4" = 1'-0"
DWG #: C-779A-103	ALT: 2

8

7

6

5

4

3

2

1