

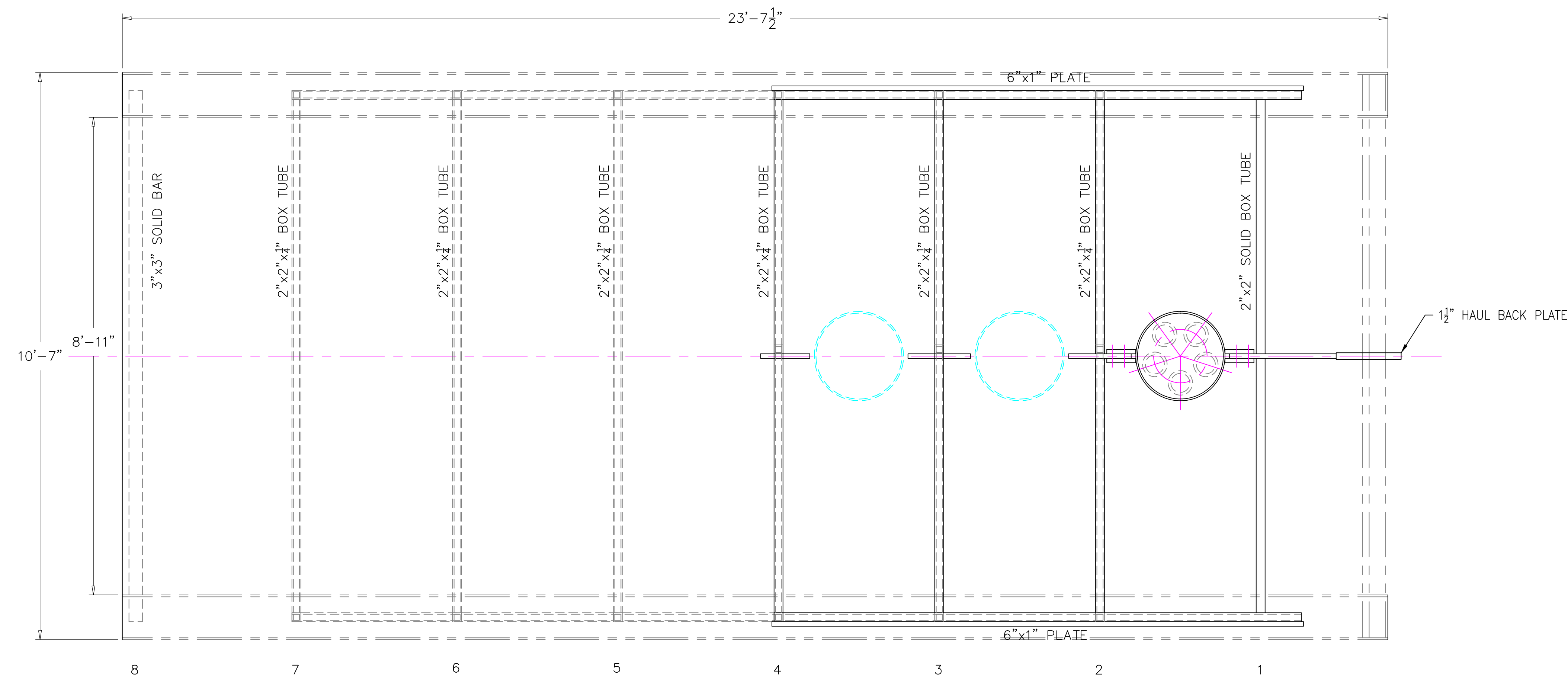
GENERAL NOTES

CONSTRUCT SEEDER ON I-BEAM JIG TO ENSURE NO TWIST OR BOW. CREUSABRO 8000 LAID ON JIG AND SEEDER BUILT UP ON TOP OF THE RUNNERS.

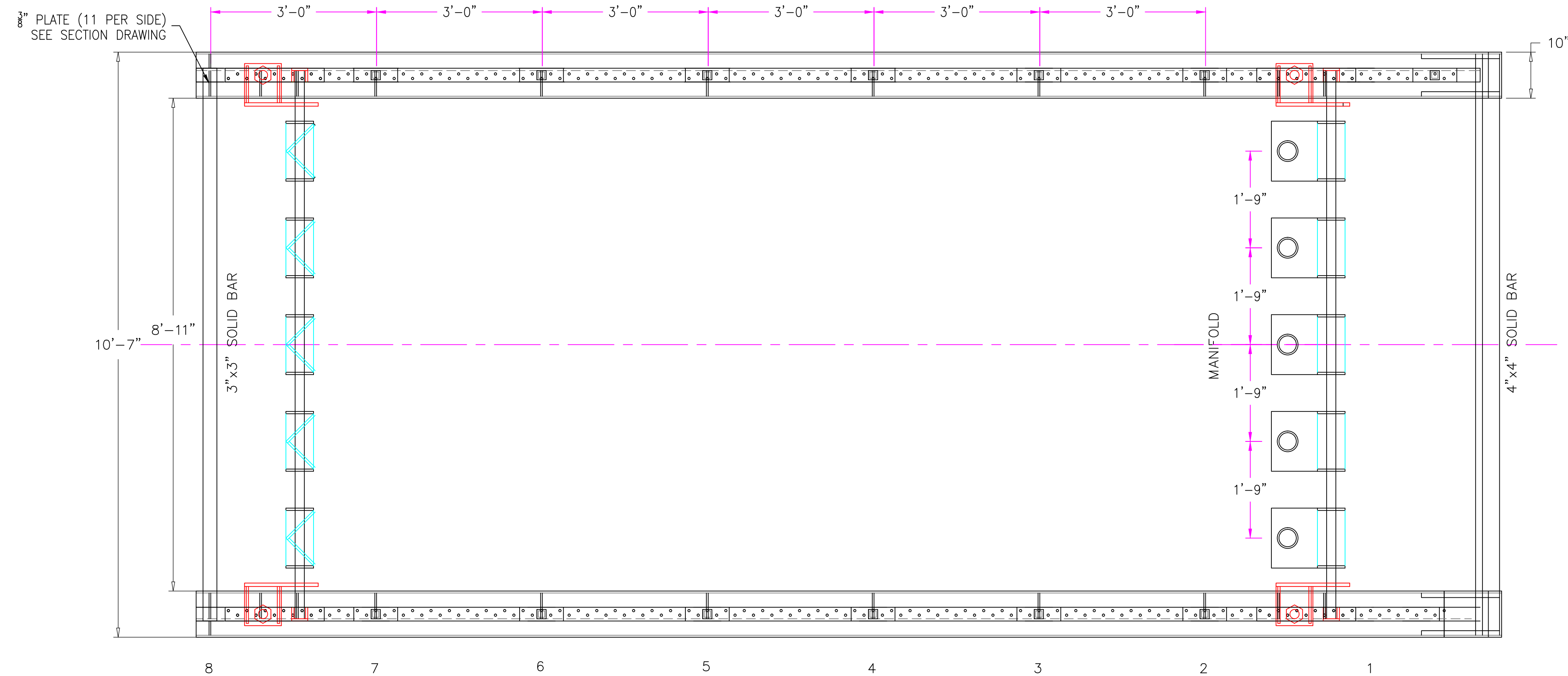
USE E7016 OR E7018 (OR EQUIVALENT) ROD FOR WELDING CREUSABRO HARD PLATE TO A-36 CHANNEL. IF WIRE FEED USED, ENSURE EQUIVALENCY TO NOTED ROD TYPE.

ALL PLATE MATERIAL TO BE A-36 STEEL UNLESS NOTED.  
 ALL BOX TUBE MATERIAL TO BE A-500 STEEL UNLESS NOTED.  
 ALL ROUND BAR MATERIAL 1018 COLDED ROLLED  
 ALL NUTS, BOLTS, WASHERS ETC TO BE GRADE 8

ALL CREUSABRO 8000 TO BE WELDED 4" ON 12" CENTERS WITH 12" CONTINUOUS WELD AT THE ENDS  
 ALL REMAINING WELDING TO BE 3/8" CONTINUOUS FILLET WELDING

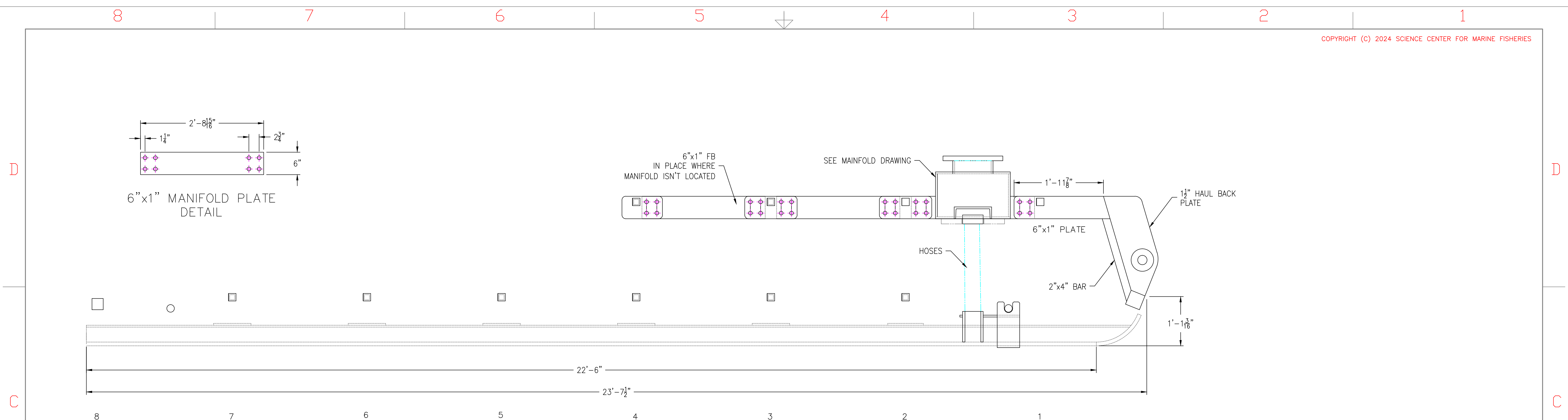


PLAN VIEW OF TOP  
LOOKING DOWN

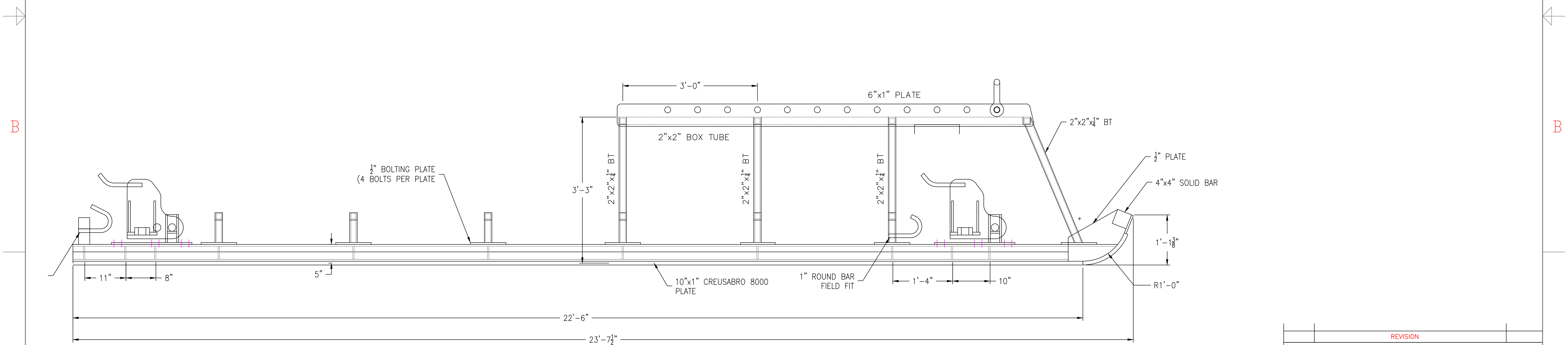


PLAN VIEW OF CHANNELS  
LOOKING DOWN

ALT	REVISION	DATE
THIS DRAWING/DOCUMENT IS AN ACCOUNT OF WORK SPONSORED BY THE SCIENCE CENTER FOR MARINE FISHERIES (SCMFIS)		
<b>FARRELL &amp; NORTON NAVAL ARCHITECTS</b>		
NAVAL ARCHITECTS AND MARINE ENGINEERS		
PO BOX 66 (207) 563-3210 (THOMAS)		NEWCASTLE, ME 04553 (617) 308-1074 (GARRETT)
<b>TOP AND BOTTOM FRAME DETAILS</b>		
PROJECT: CLAM SEEDER DETAILS		
DESIGNED BY: TOM DAMERON	DATE: 06/06/24	
DRAWN BY: TMF	SCALE: 3/4" = 1'-0"	
DWG #: C-879-100	ALT: 0	



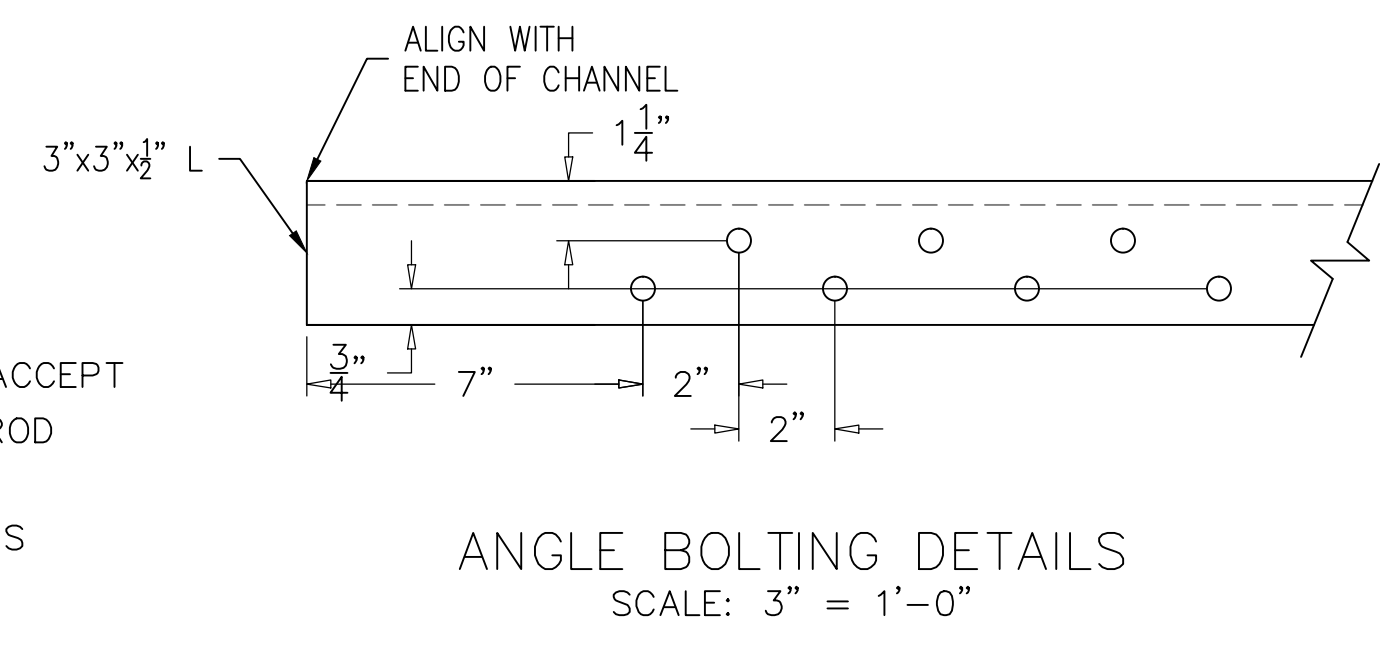
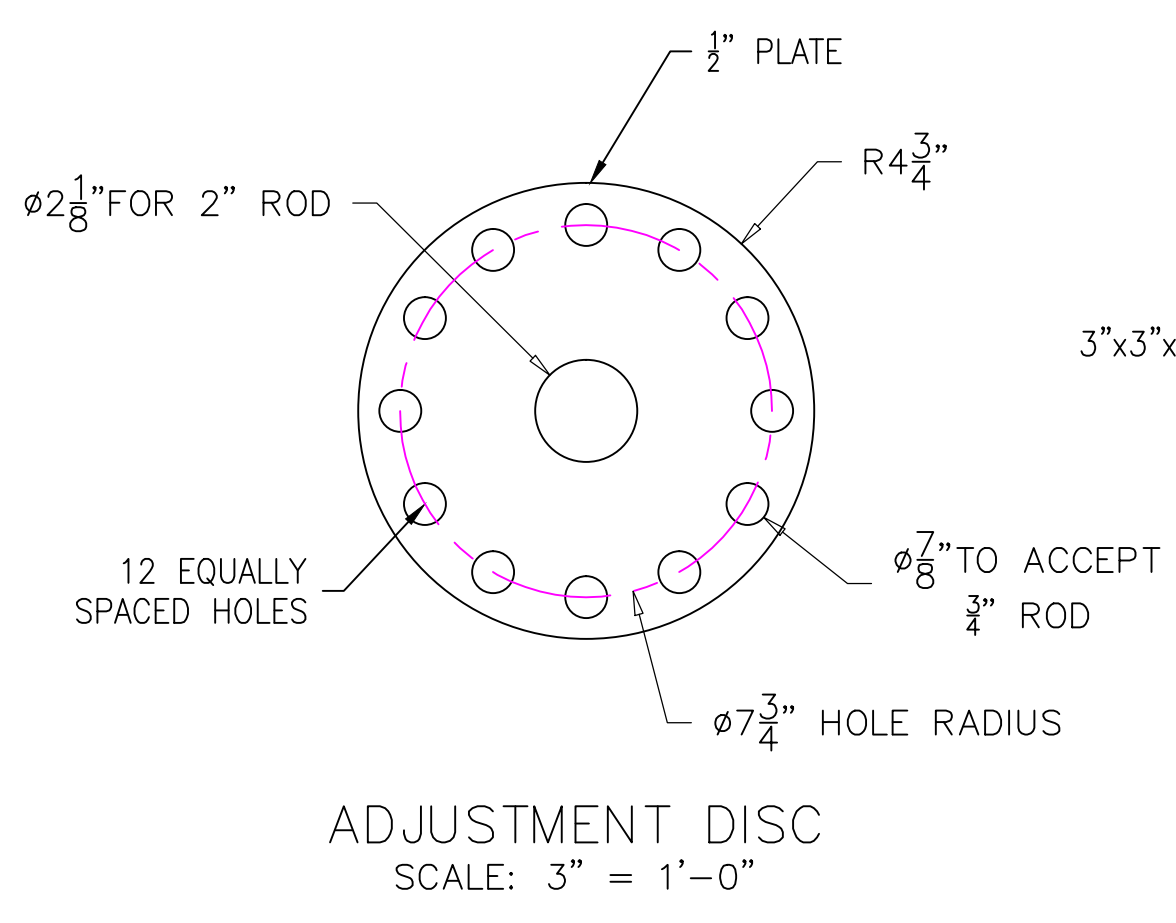
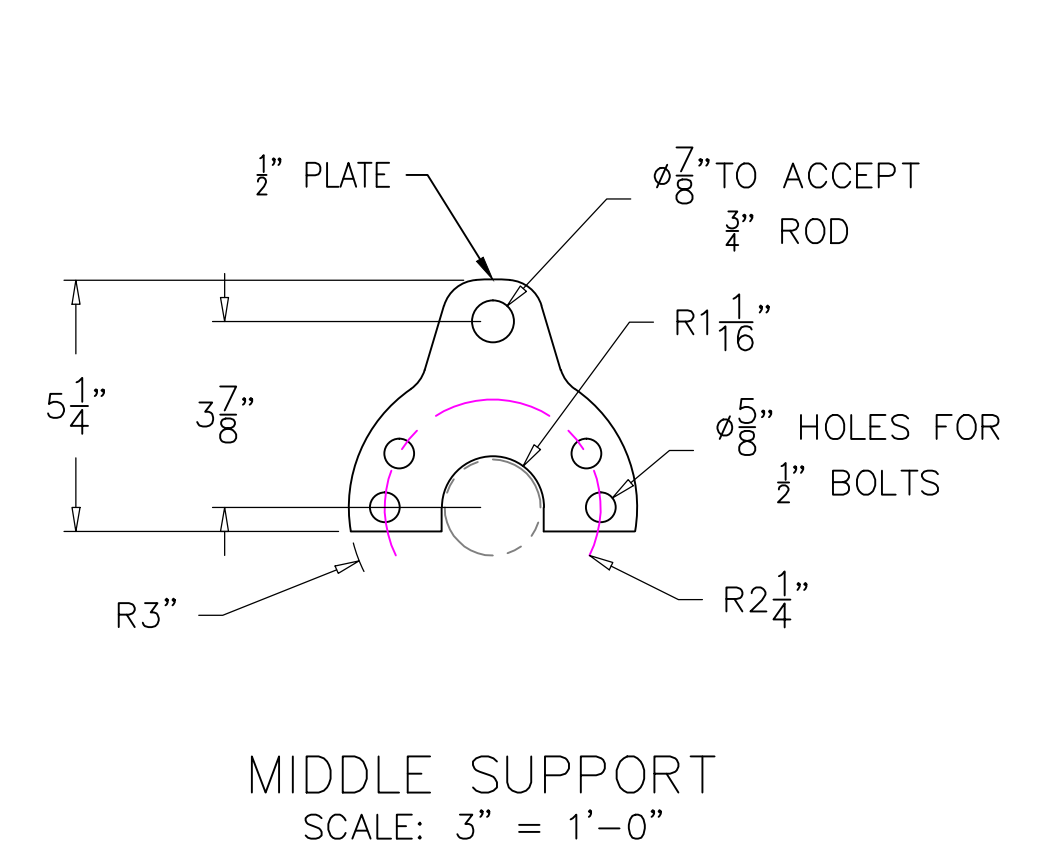
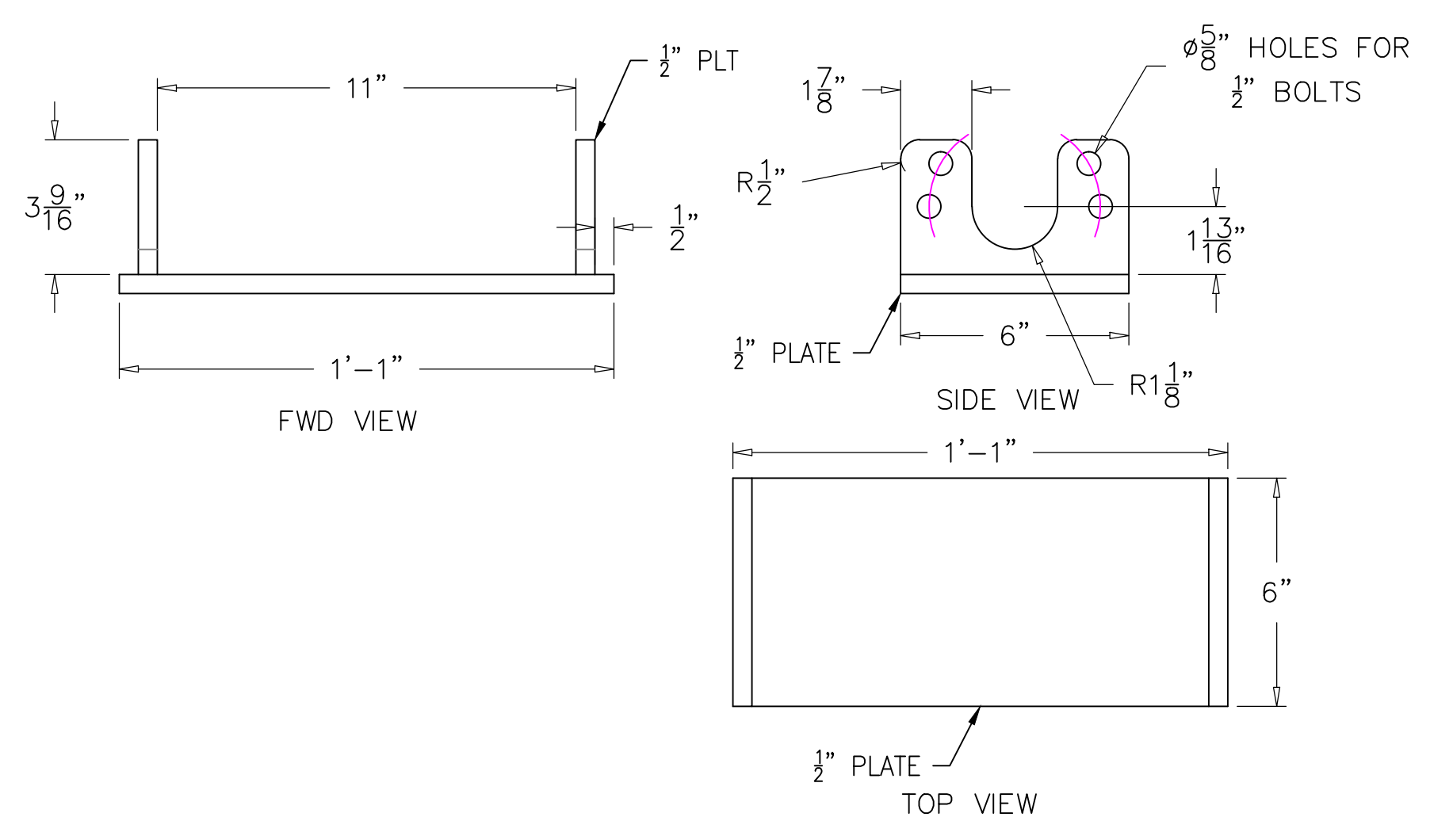
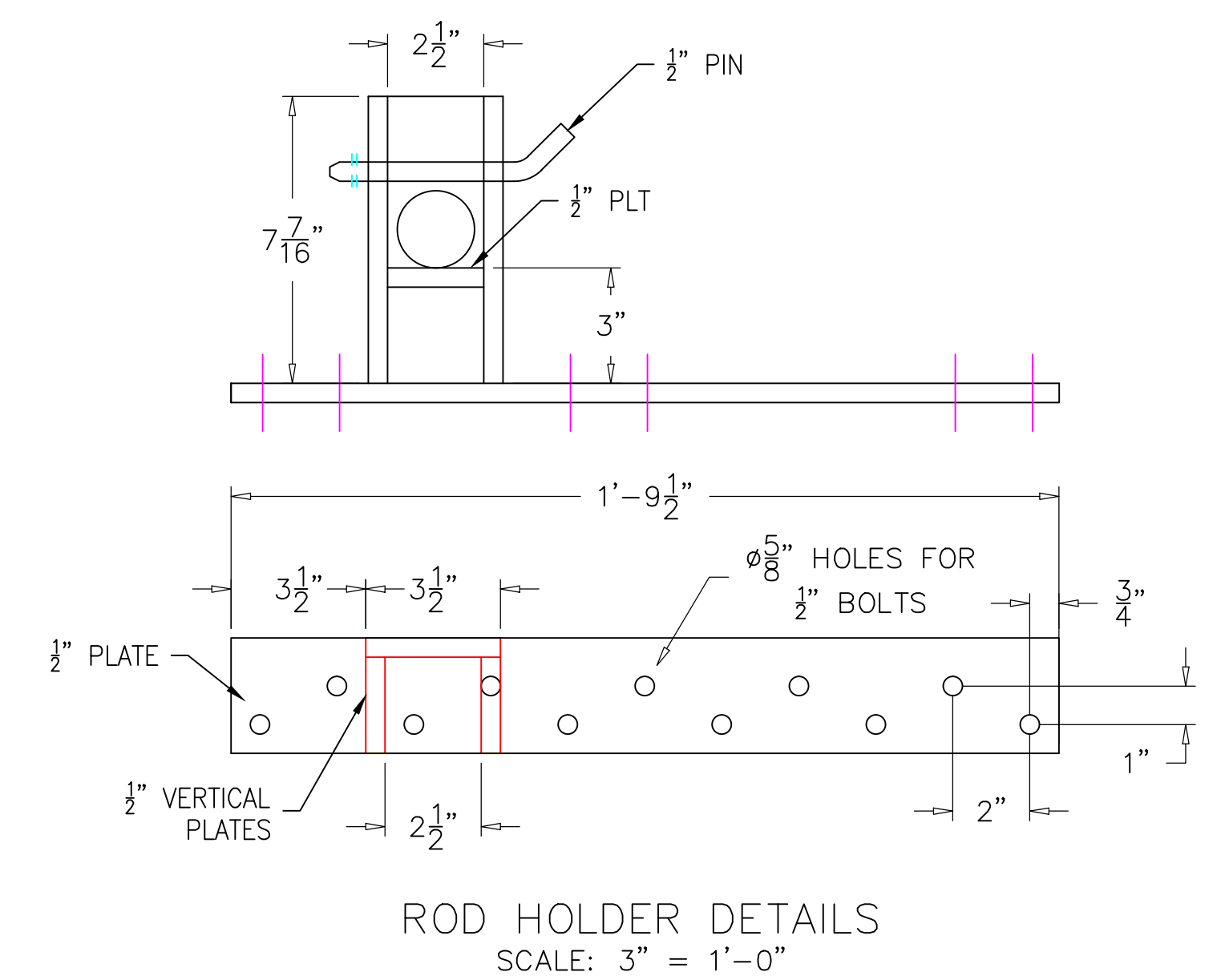
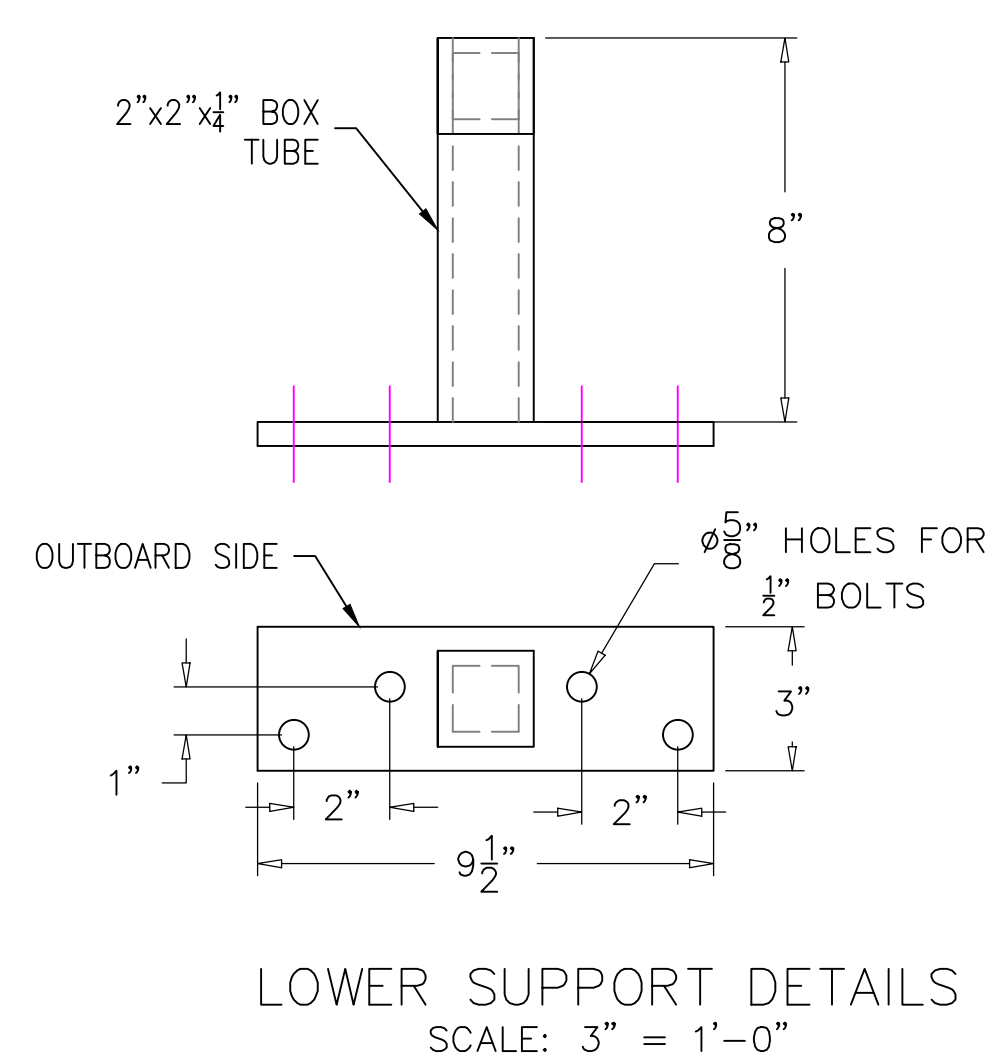
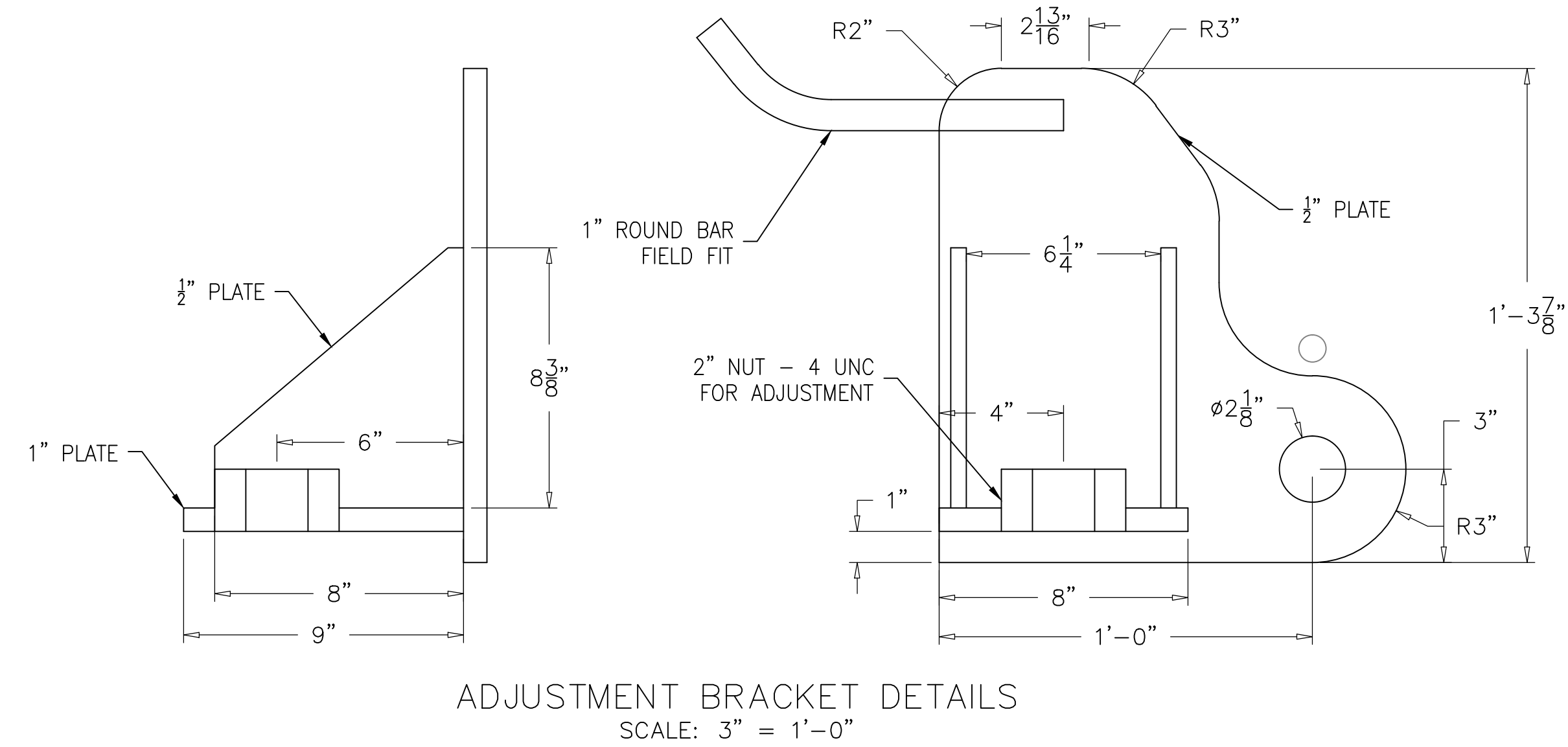
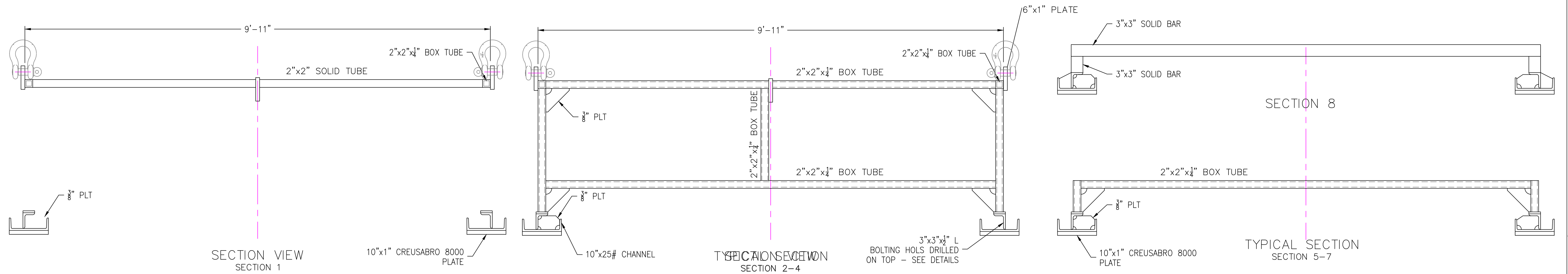
PROFILE © CL  
LOOKING OUTBOARD



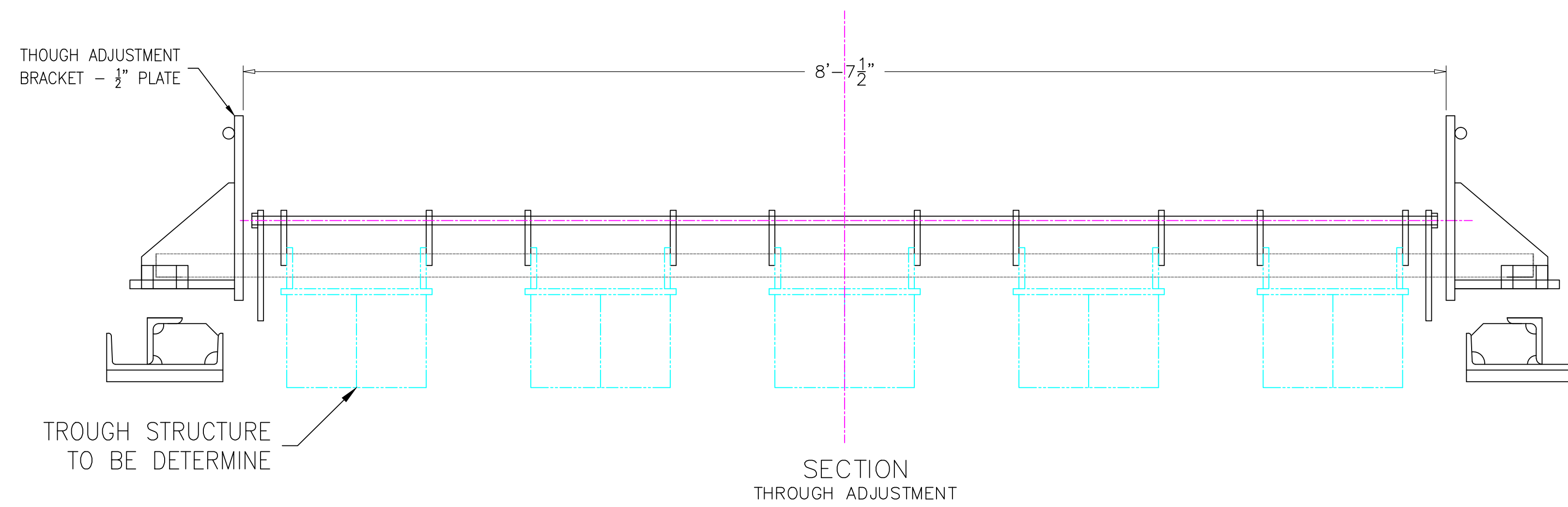
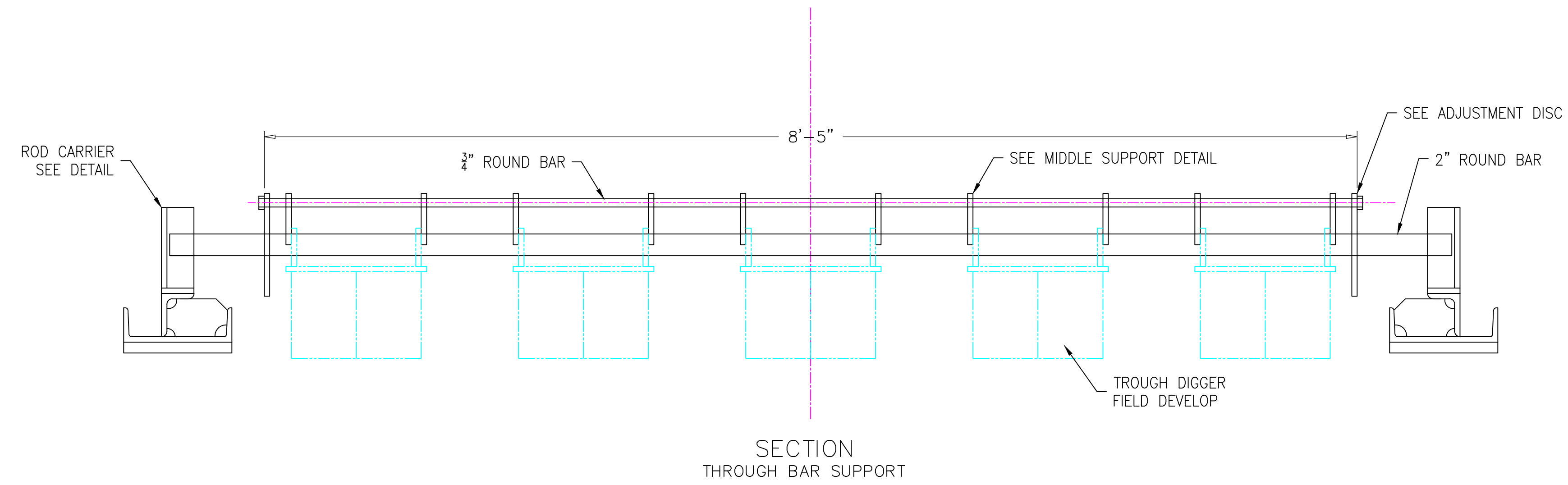
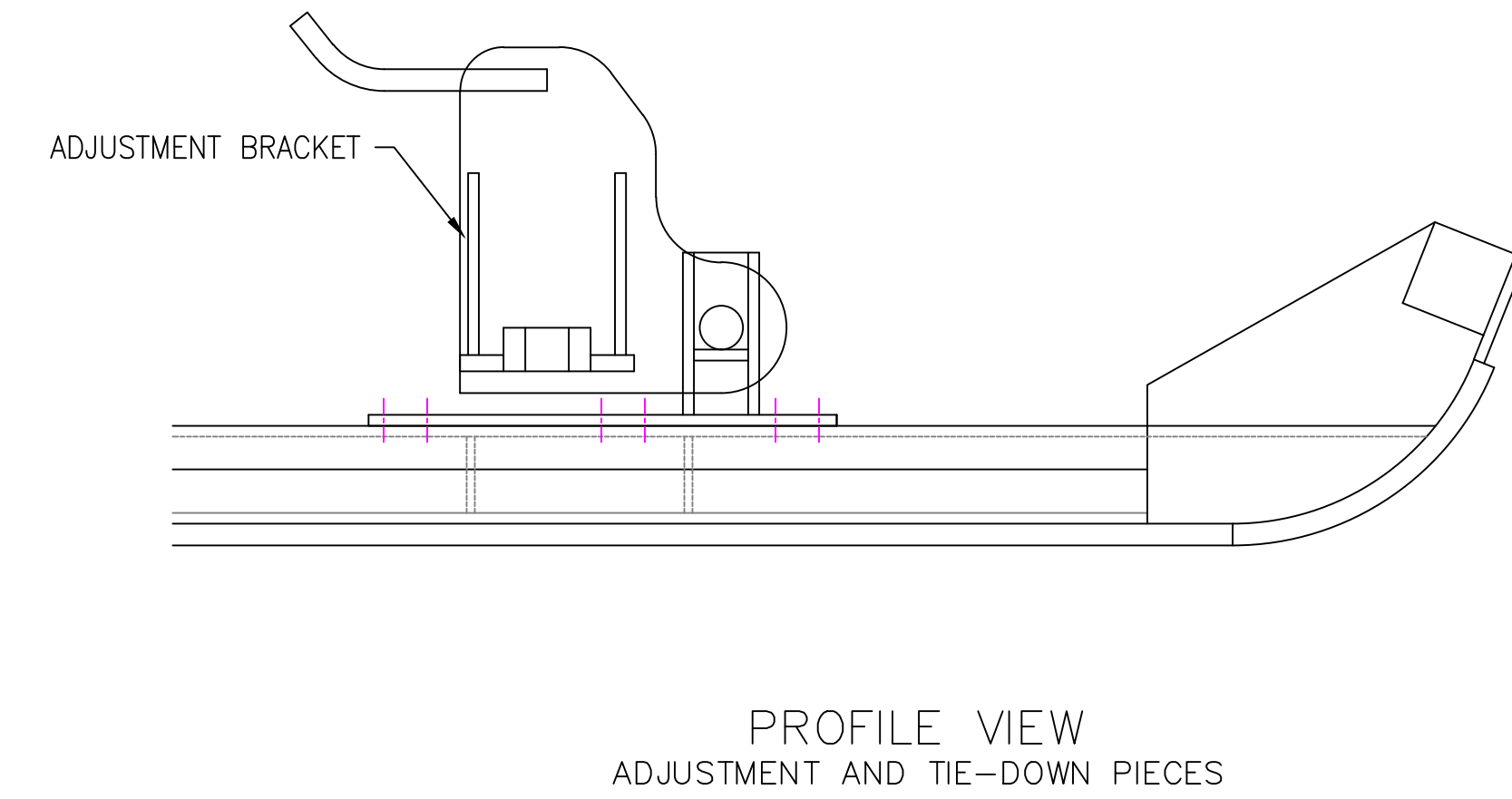
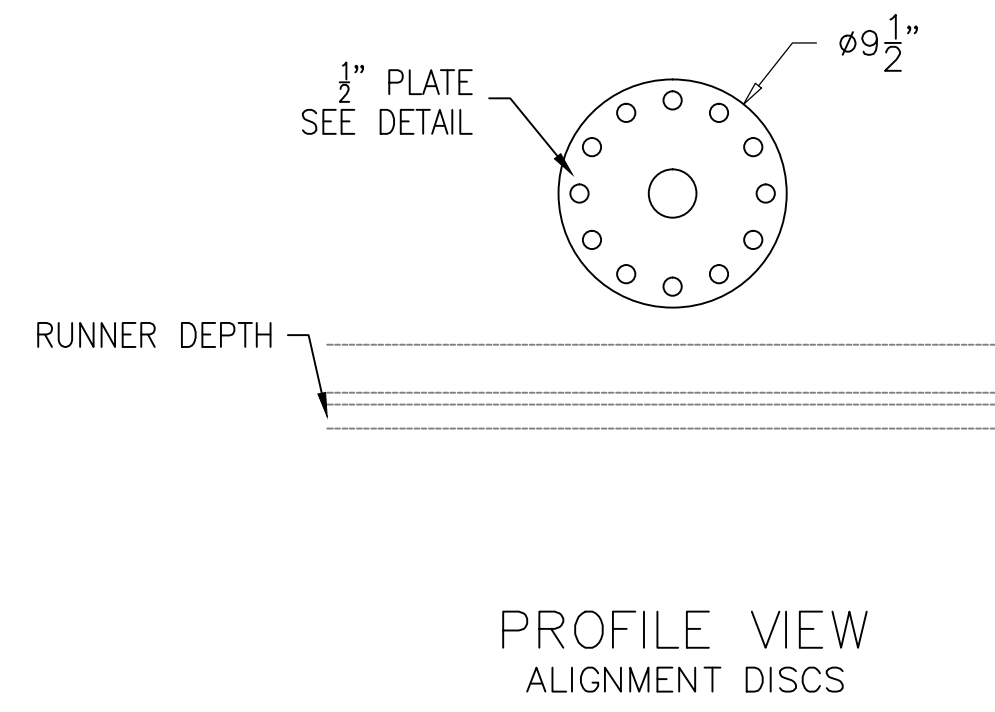
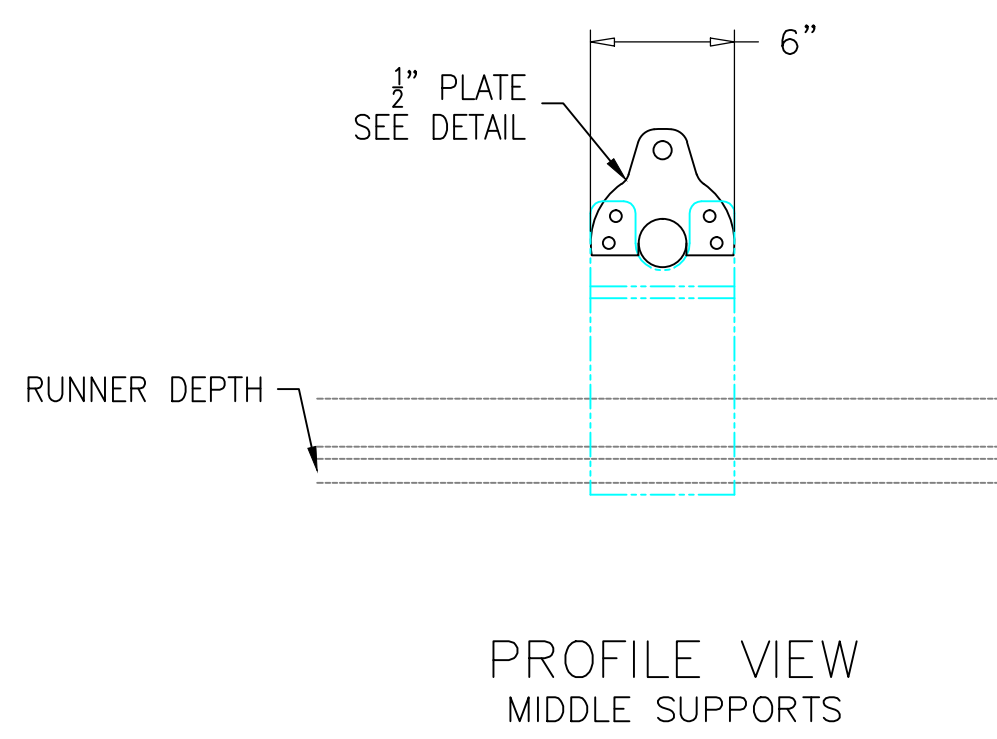
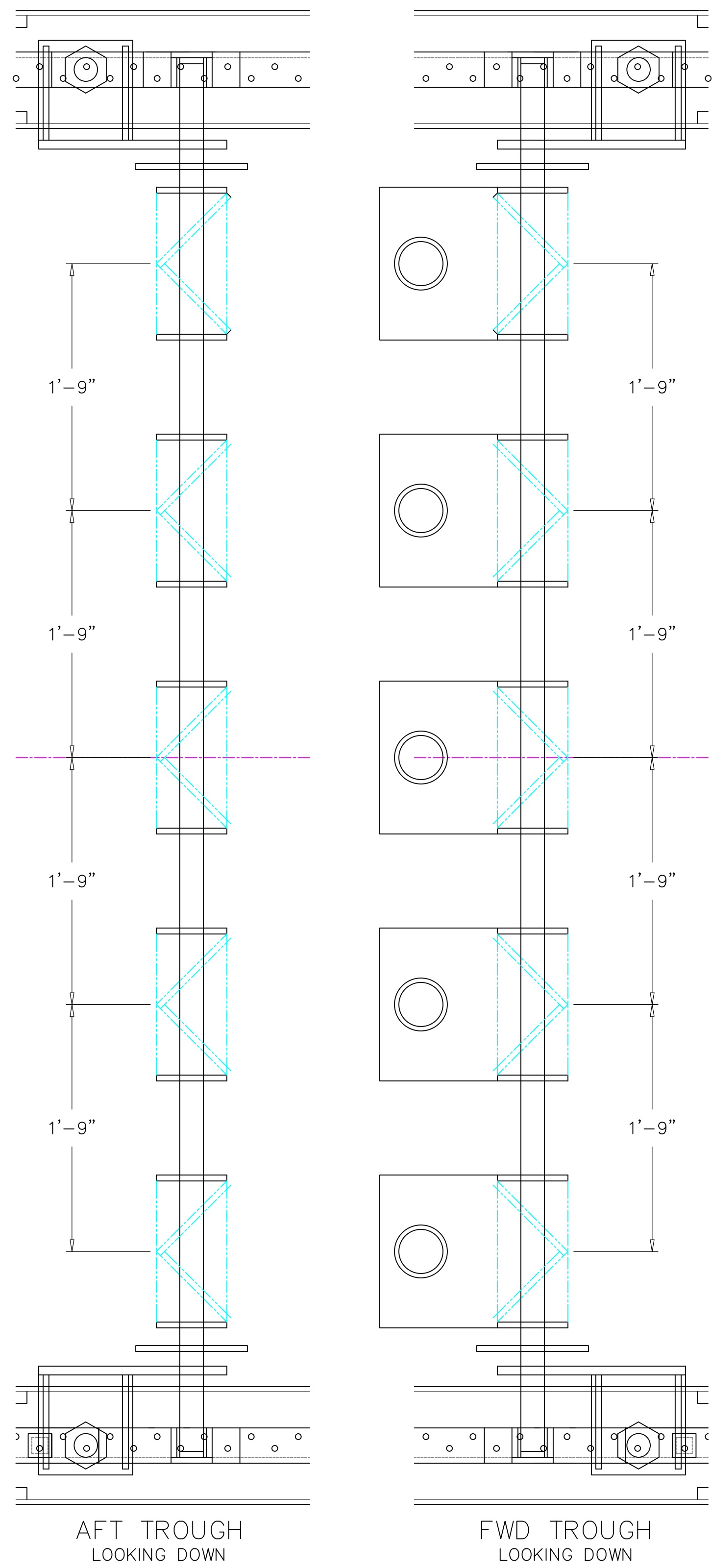
PROFILE © CHANNEL  
LOOKING INBOARD

REVISION	
THIS DRAWING/DOCUMENT IS AN ACCOUNT OF WORK SPONSORED BY THE SCIENCE CENTER FOR MARINE FISHERIES (SCMFIS)	
<b>FARRELL &amp; NORTON NAVAL ARCHITECTS</b>	
NAVAL ARCHITECTS AND MARINE ENGINEERS	
PO BOX 66 (207) 563-3210 (THOMAS)	NEWCASTLE, ME 04553 (617) 308-1074 (GARRETT)
<b>DREDGE PROFILE DETAILS</b>	
PROJECT: CLAM SEEDER DETAILS	
DESIGNED BY: TOM DAMERON	DATE: 06/06/24
DRAWN BY: TMF	SCALE: 3/4" = 1'-0"
DWG #: C-879-101	ALT: 0





REVISION	
THIS DRAWING/DOCUMENT IS AN ACCOUNT OF WORK SPONSORED BY THE SCIENCE CENTER FOR MARINE FISHERIES (SCMFIS)	
<b>FARRELL &amp; NORTON NAVAL ARCHITECTS</b>	
NAVAL ARCHITECTS AND MARINE ENGINEERS	
PO BOX 66 (207) 563-3210 (THOMAS)	NEWCASTLE, ME 04553 (617) 308-1074 (GARRETT)
<b>SEEDER SECTIONS AND DETAILS</b>	
PROJECT: CLAM SEEDER DETAILS	
DESIGNED BY: TOM DAMERON	DATE: 06/06/24
DRAWN BY: TMF	SCALE: AS SHOWN
DWG #: C-879-103	ALT: 0



REVISION	
THIS DRAWING/DOCUMENT IS AN ACCOUNT OF WORK SPONSORED BY THE SCIENCE CENTER FOR MARINE FISHERIES (SCMFIS)	
<b>FARRELL &amp; NORTON NAVAL ARCHITECTS</b>	
NAVAL ARCHITECTS AND MARINE ENGINEERS	
PO BOX 66 (207) 563-3210 (THOMAS)	NEWCASTLE, ME 04553 (617) 308-1074 (GARRETT)

TROUGH DIGGER DETAILS	
PROJECT: CLAM SEEDER DETAILS	
DESIGNED BY: TOM DAMERON	DATE: 06/06/24
DRAWN BY: TMF	SCALE: 1 1/2" = 1'-0"
DWG #: C-879-104	ALT: 0