

8

7

6

5

4

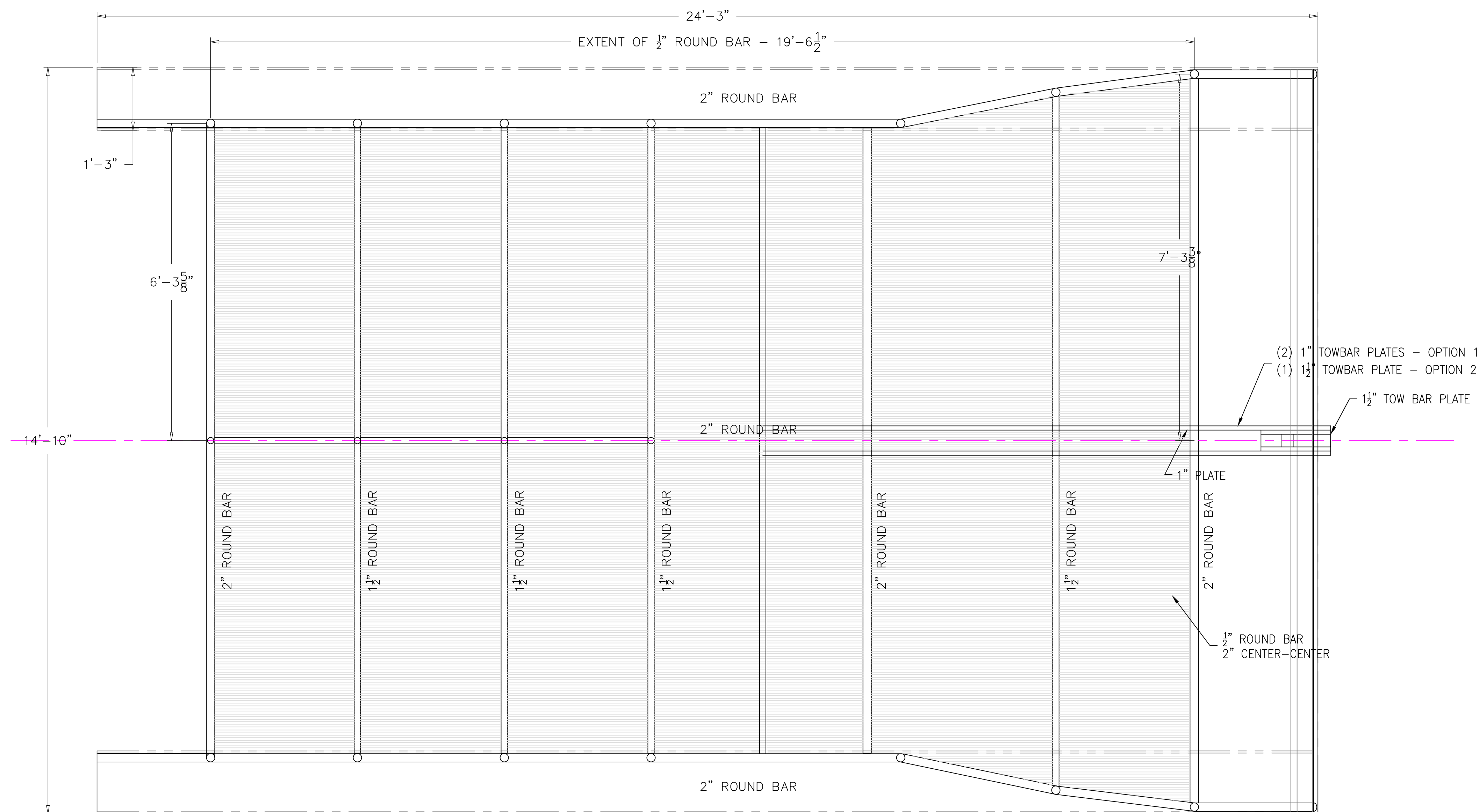
3

2

1

GENERAL NOTES

- 1.) CONSTRUCT DREDGE ON PLATEN TO ENSURE NO TWIST OR BOW. AFTER CONSTRUCTION OF FRAME AND RUNNERS, CUT DREDGE LOOSE AND WELD AR500 HARD PLATES TO BOTTOM OF CHANNEL RUNNERS.
- 2.) USE 11018 (OR EQUIVALENT) STICK FOR WELDING AR500 HARD PLATE TO A-36 CHANNEL. IF WIRE FEED USED, ENSURE EQUIVALENCY TO NOTED ROD TYPE.
- 3.) ALL MATERIAL TO BE A-36 STEEL UNLESS NOTED. ALL WELDING TO BE 3/8" CONTINUOUS FILLET WELDING



TOP VIEW  
LOOKING DOWN

ALT	REVISION	DATE:
THIS DRAWING/DOCUMENT IS CONFIDENTIAL AND THE PROPERTY OF THOMAS M. FARRELL AND GARRETT NORTON AND MUST NOT BE USED FOR MANUFACTURE, COPIED OR COMMUNICATED TO ANY OTHER PERSON WITHOUT EXPRESS PERMISSION.		
<b>FARRELL &amp; NORTON NAVAL ARCHITECTS</b> NAVAL ARCHITECTS AND MARINE ENGINEERS		
PO BOX 66 (207) 563-3210 (THOMAS)		NEWCASTLE, ME 04553 (617) 308-1074 (GARRETT)
<b>TOP FRAME DETAILS</b>		
PROJECT: SURVEY DREDGE		
DRAWN BY: TMF		DATE: 08/02/18
APPROVED BY: GJN		SCALE: 3/4" = 1'-0"
DWG #: C-680-200		ALT: 0

8

7

6

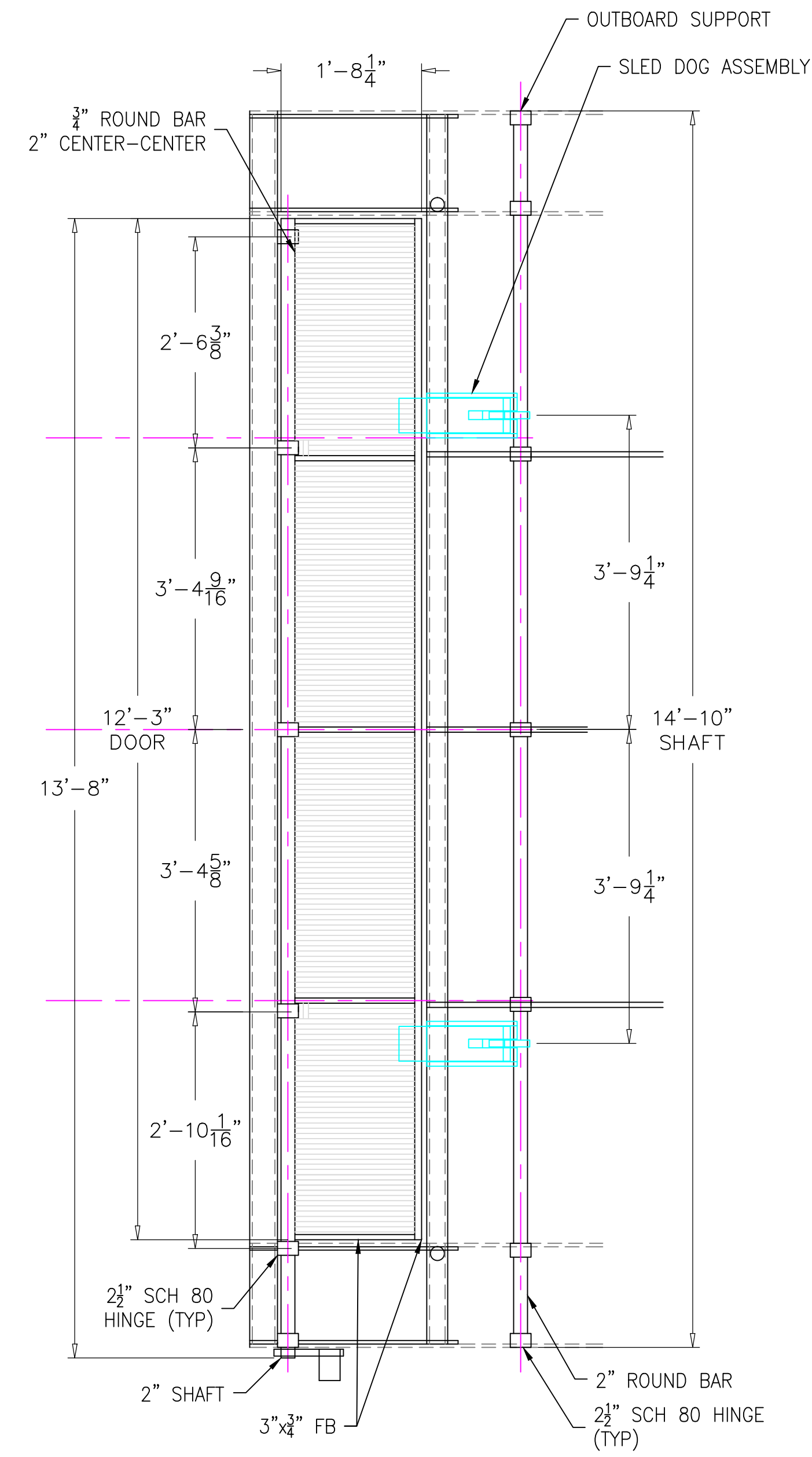
5

4

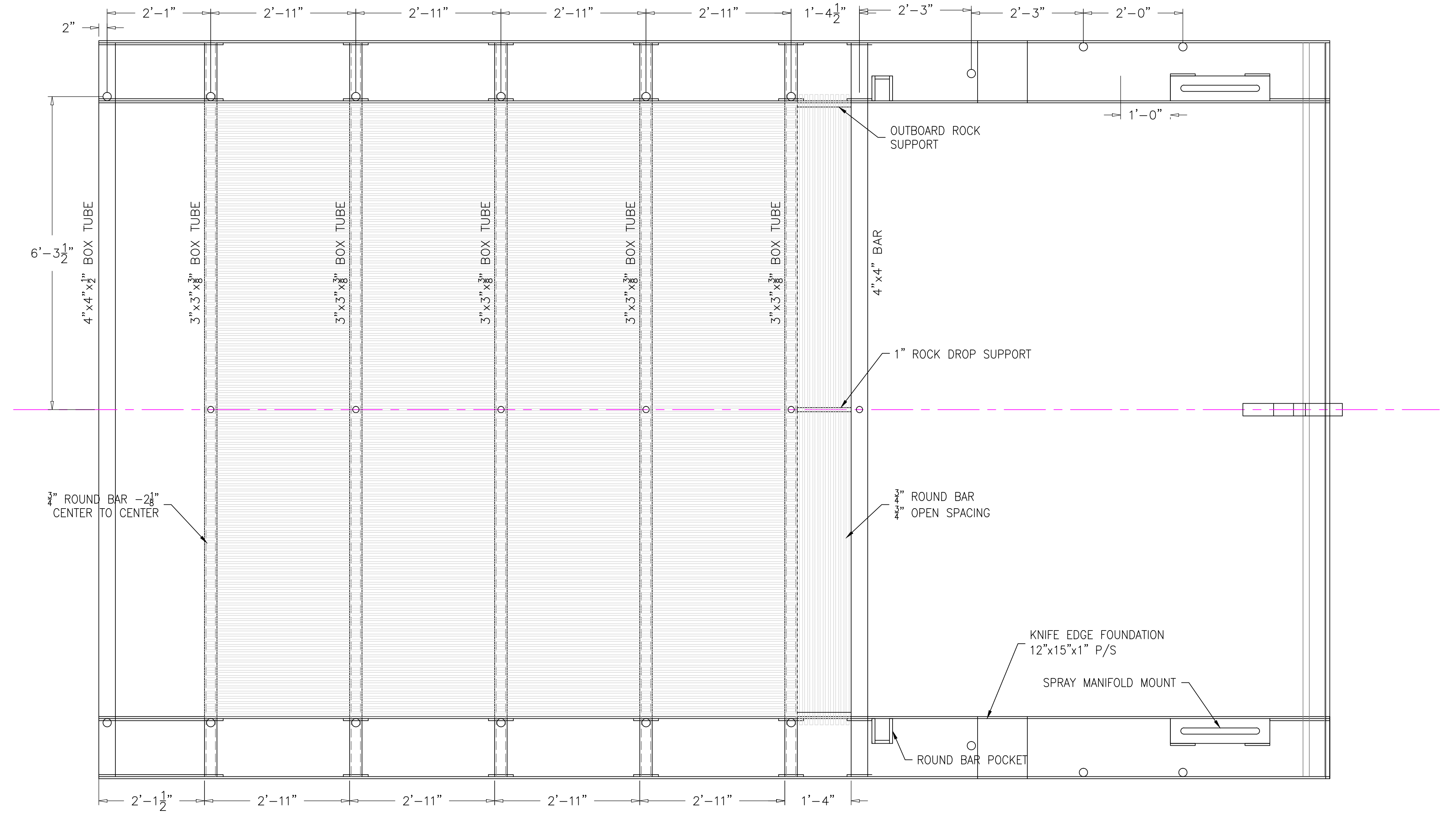
3

2

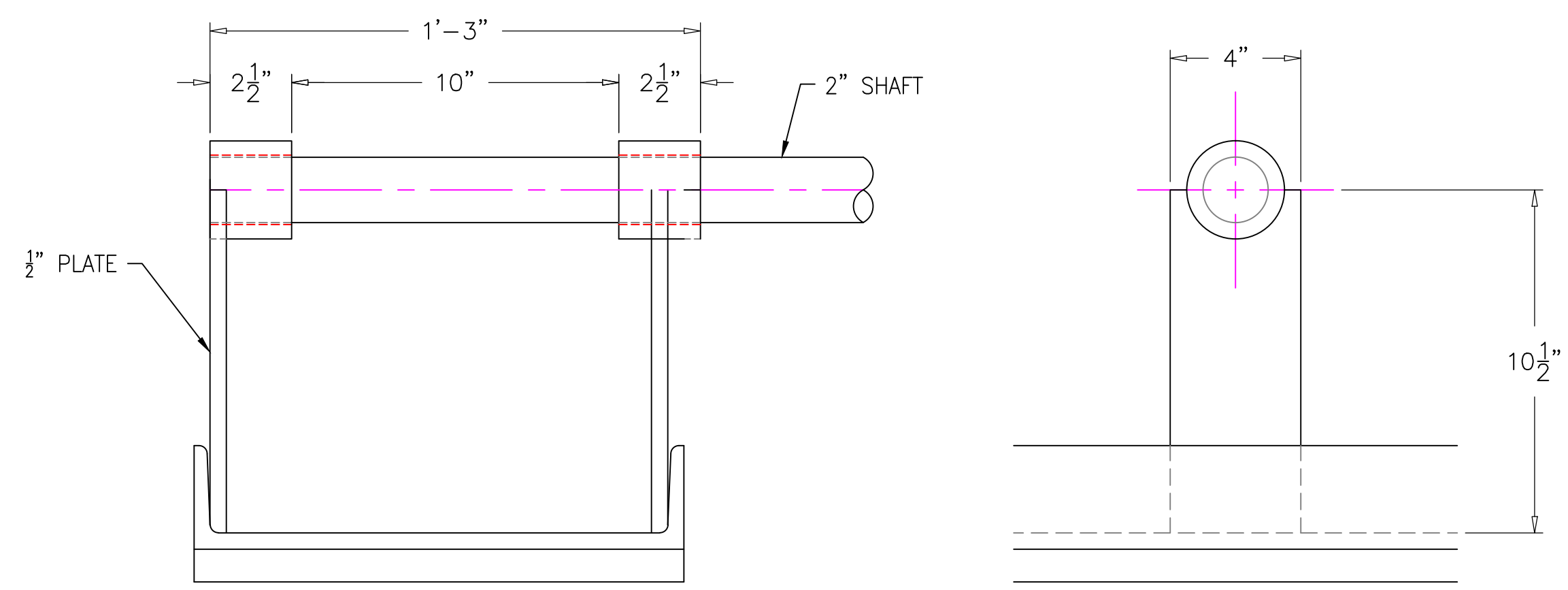
1



CLAM DOOR DETAILS  
LOOKING DOWN

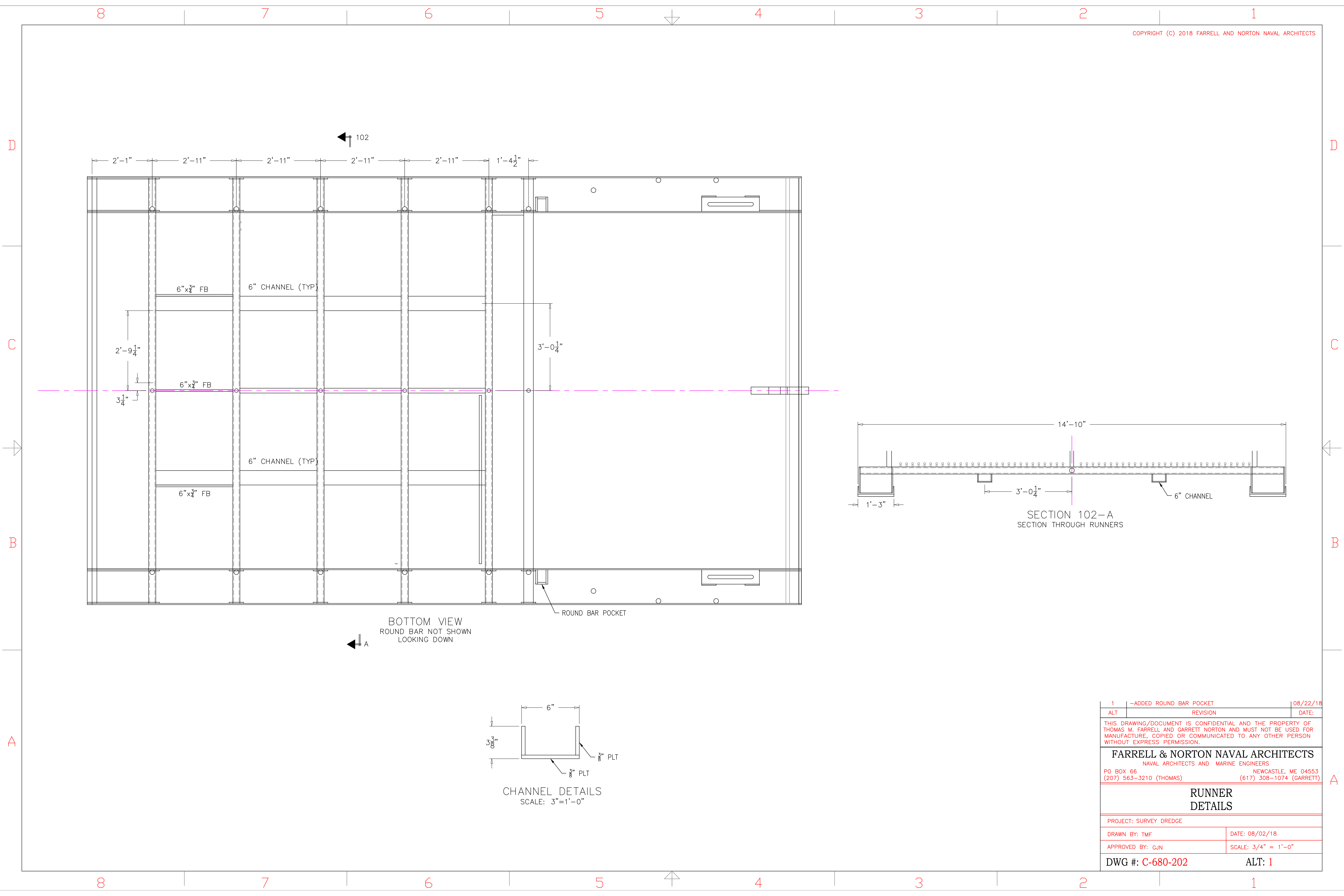


BOTTOM VIEW  
LOOKING DOWN



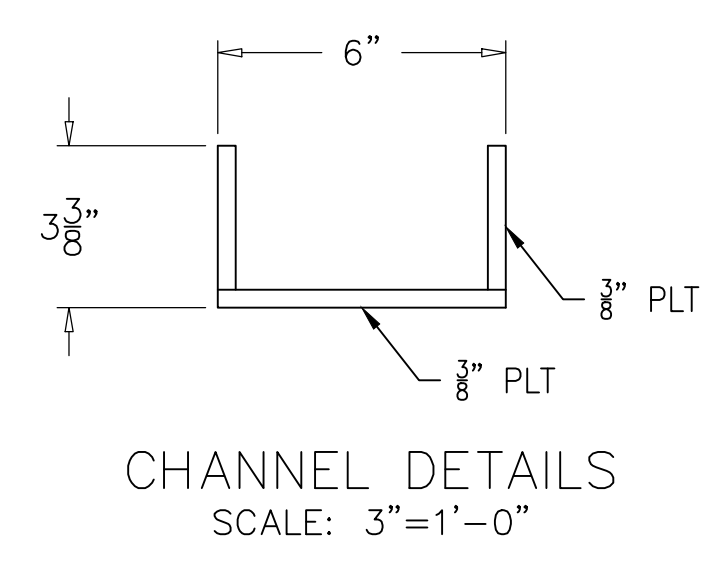
OUTBOARD DOG SHAFT SUPPORTS  
SCALE: 3"=1'-0"

1	-ADDED ROUND BAR POCKET	08/22/18
ALT	REVISION	DATE:
THIS DRAWING/DOCUMENT IS CONFIDENTIAL AND THE PROPERTY OF THOMAS M. FARRELL AND GARRETT NORTON AND MUST NOT BE USED FOR MANUFACTURE, COPIED OR COMMUNICATED TO ANY OTHER PERSON WITHOUT EXPRESS PERMISSION.		
<b>FARRELL &amp; NORTON NAVAL ARCHITECTS</b>		
NAVAL ARCHITECTS AND MARINE ENGINEERS		
PO BOX 66 (207) 563-3210 (THOMAS)		NEWCASTLE, ME 04553 (617) 308-1074 (GARRETT)
<b>BOTTOM FRAME DETAILS</b>		
PROJECT: SURVEY DREDGE		
DRAWN BY: TMF	DATE: 08/01/18	
APPROVED BY: GJN	SCALE: 3/4" = 1'-0"	
DWG #: C-680-201	ALT: 1	

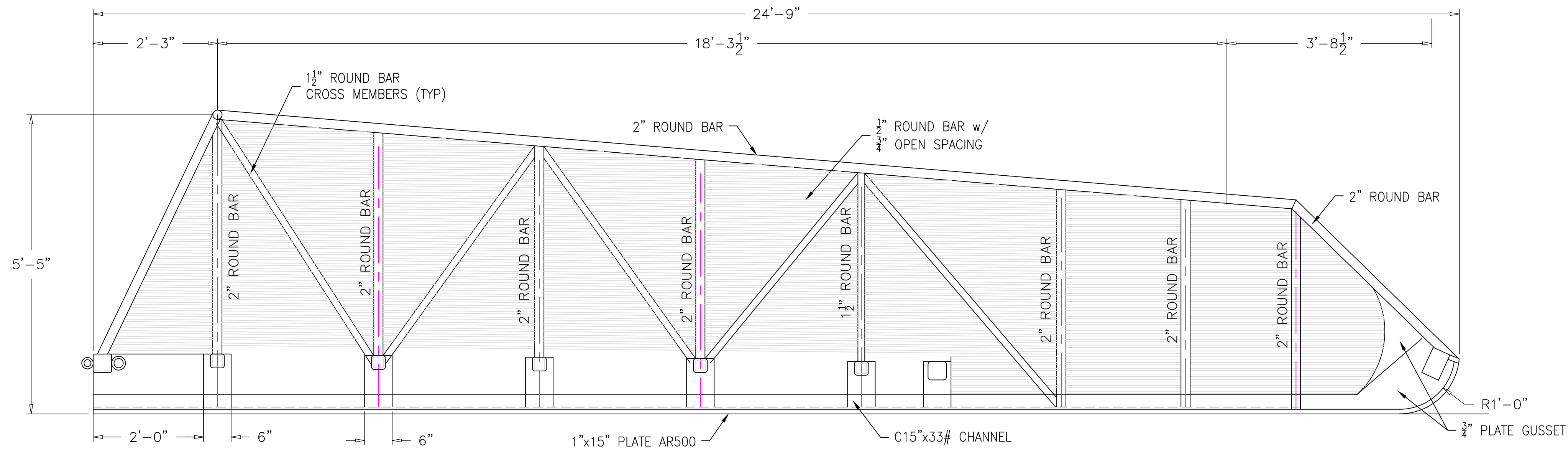


BOTTOM VIEW  
ROUND BAR NOT SHOWN  
LOOKING DOWN

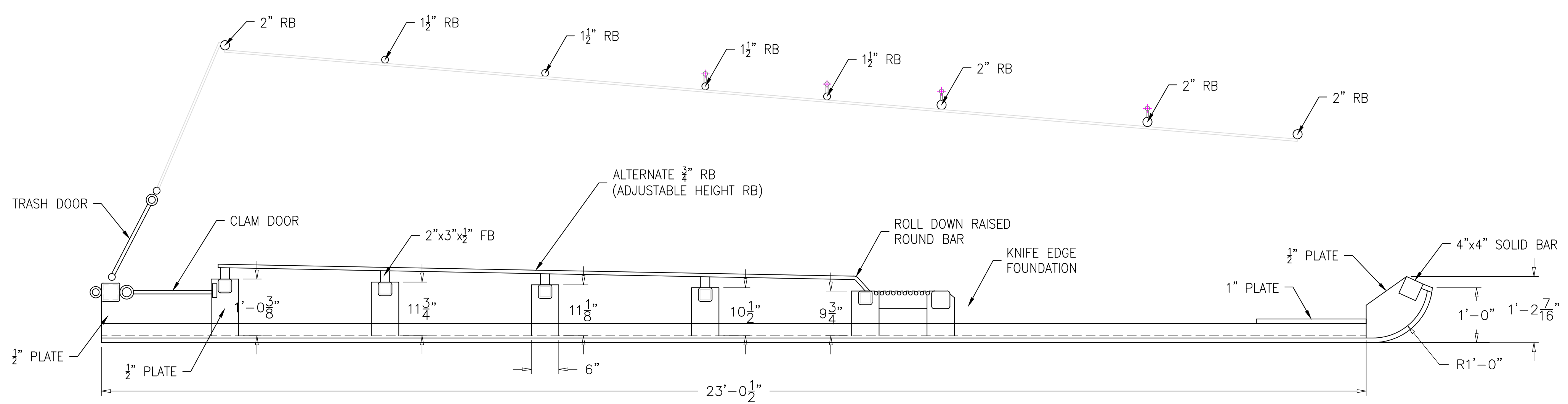
SECTION 102-A  
SECTION THROUGH RUNNERS



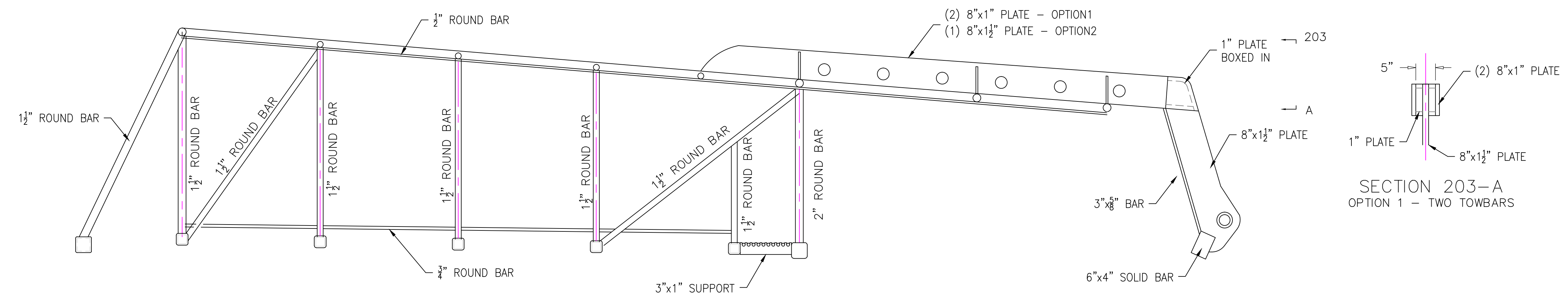
1	-ADDED ROUND BAR POCKET	08/22/18
ALT	REVISION	DATE:
THIS DRAWING/DOCUMENT IS CONFIDENTIAL AND THE PROPERTY OF THOMAS M. FARRELL AND GARRETT NORTON AND MUST NOT BE USED FOR MANUFACTURE, COPIED OR COMMUNICATED TO ANY OTHER PERSON WITHOUT EXPRESS PERMISSION.		
<b>FARRELL &amp; NORTON NAVAL ARCHITECTS</b>		
NAVAL ARCHITECTS AND MARINE ENGINEERS		
PO BOX 66 (207) 563-3210 (THOMAS)		NEWCASTLE, ME 04553 (617) 308-1074 (GARRETT)
<b>RUNNER DETAILS</b>		
PROJECT: SURVEY DREDGE		
DRAWN BY: TMF		DATE: 08/02/18
APPROVED BY: GJN		SCALE: 3/4" = 1'-0"
DWG #: C-680-202		ALT: 1



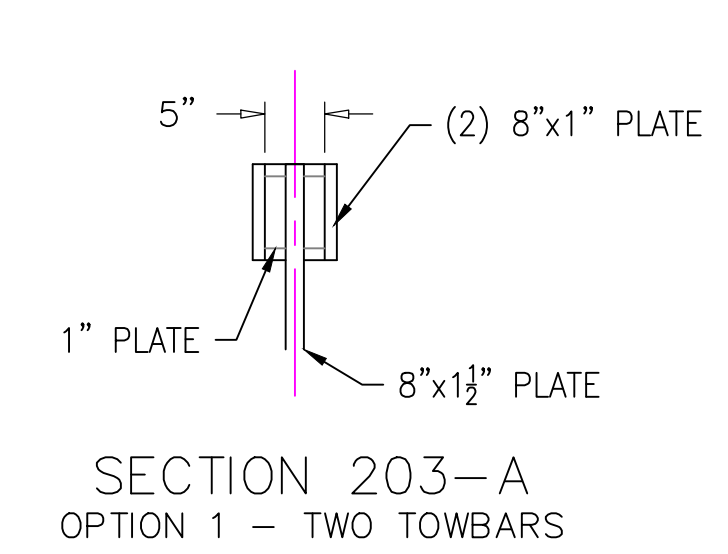
OUTBOARD WEB OF CHANNEL  
LOOKING INBOARD



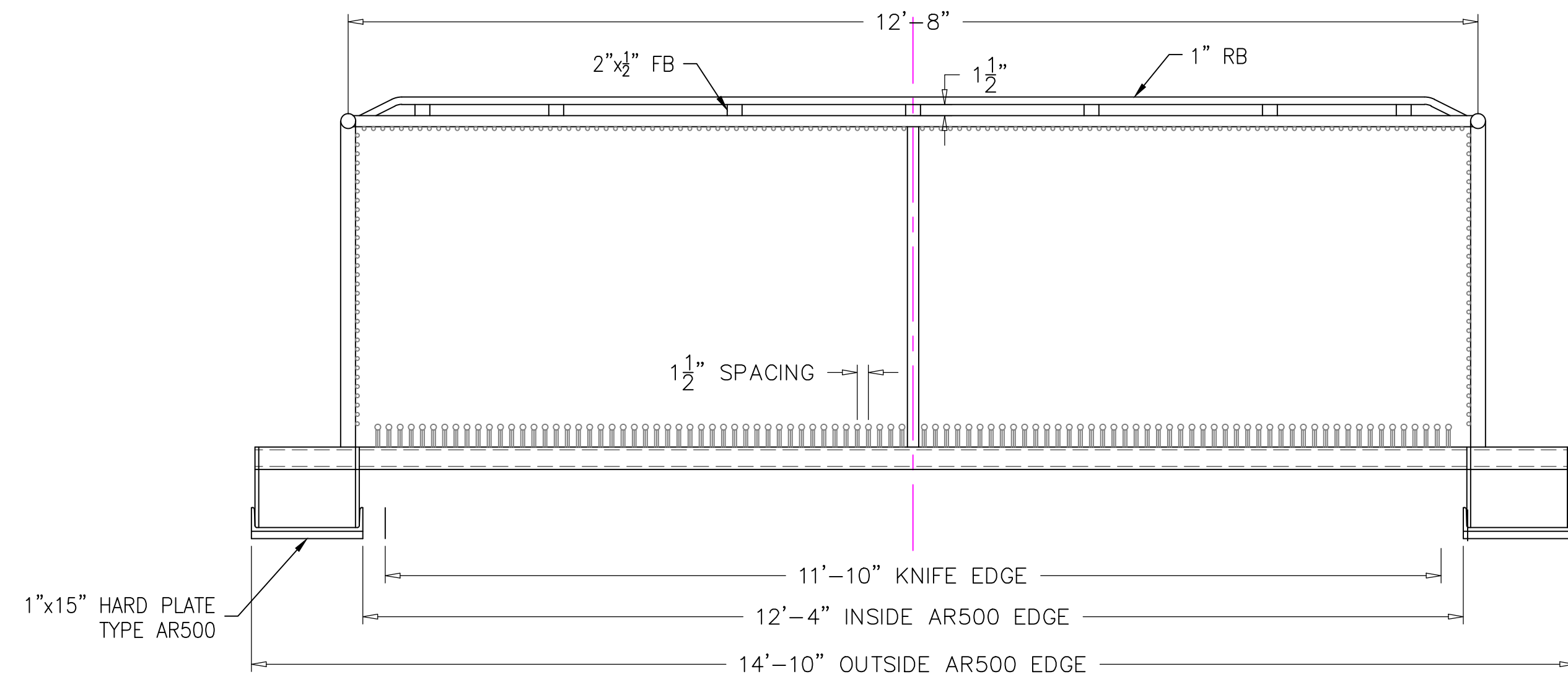
INBOARD WEB OF CHANNEL  
LOOKING INBOARD



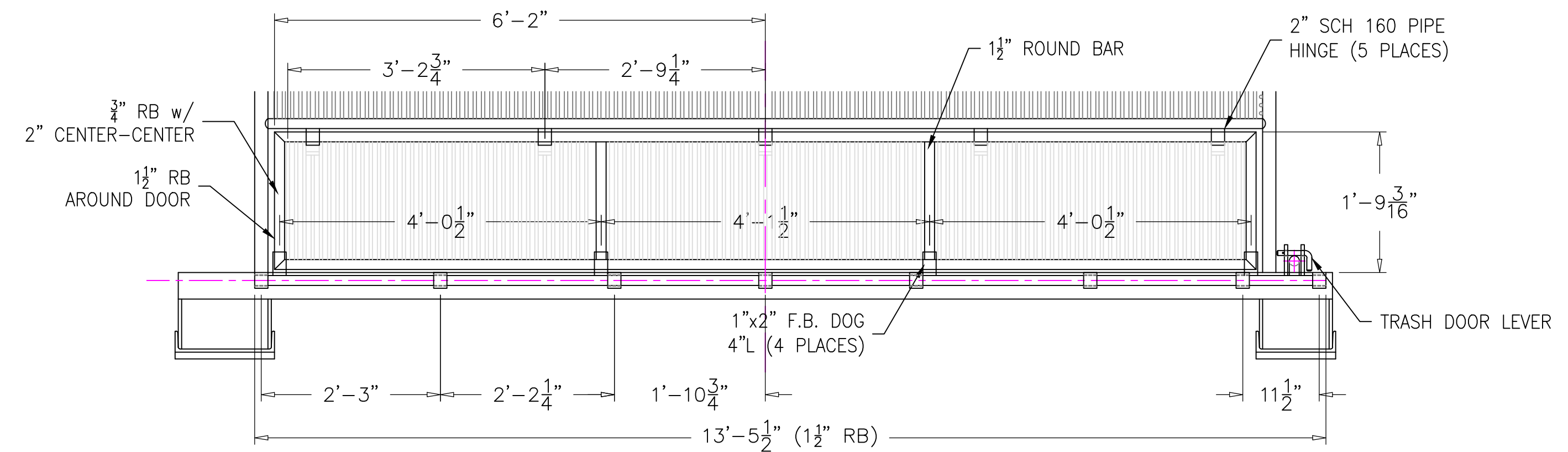
CENTERLINE PROFILE  
LOOKING INBOARD



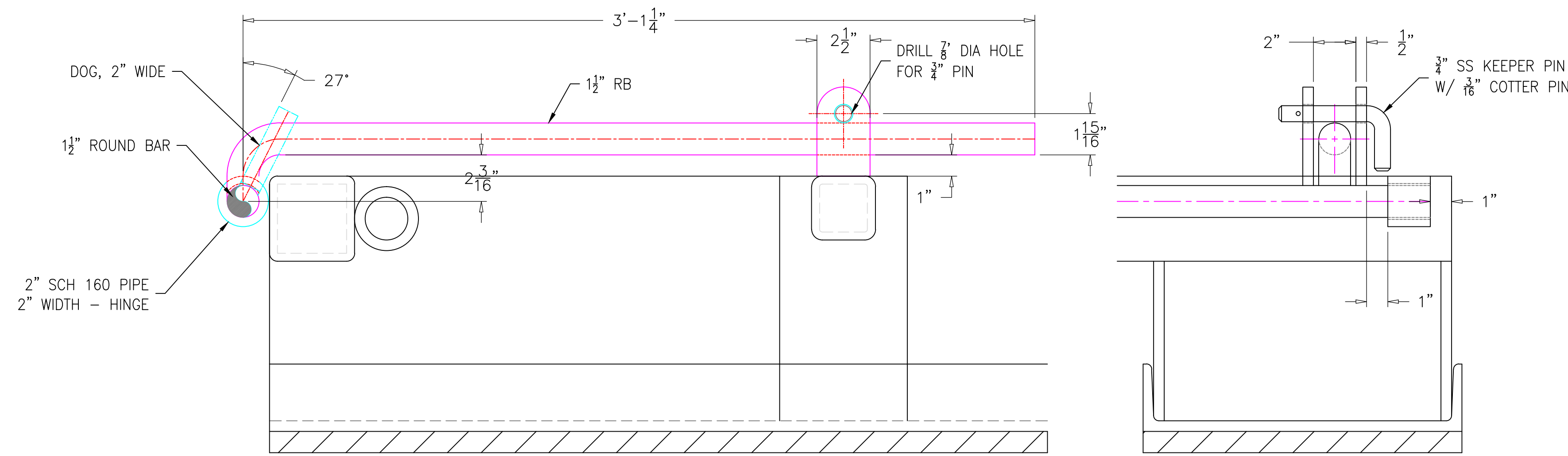
ALT	REVISION	DATE:
THIS DRAWING/DOCUMENT IS CONFIDENTIAL AND THE PROPERTY OF THOMAS M. FARRELL AND GARRETT NORTON AND MUST NOT BE USED FOR MANUFACTURE, COPIED OR COMMUNICATED TO ANY OTHER PERSON WITHOUT EXPRESS PERMISSION.		
<b>FARRELL &amp; NORTON NAVAL ARCHITECTS</b> NAVAL ARCHITECTS AND MARINE ENGINEERS		
PO BOX 66 (207) 563-3210 (THOMAS)		NEWCASTLE, ME 04553 (617) 308-1074 (GARRETT)
<b>PROFILE ARRANGEMENT AND DETAILS</b>		
PROJECT: SURVEY DREDGE		
DRAWN BY: TMF		DATE: 08/02/18
APPROVED BY: GJN		SCALE: 3/4" = 1'-0"
DWG #: C-680-203		ALT: 0



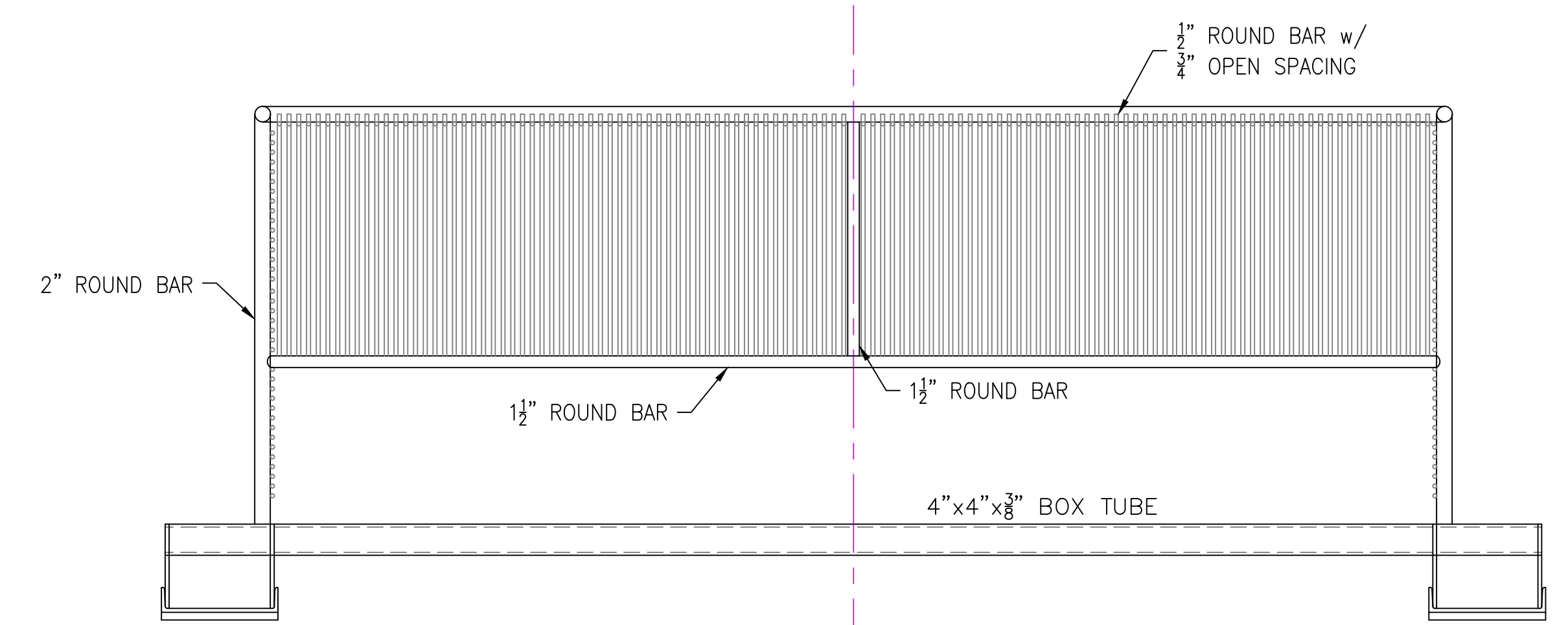
TYPICAL TRANSVERSE SECTION  
LOOKING FORWARD



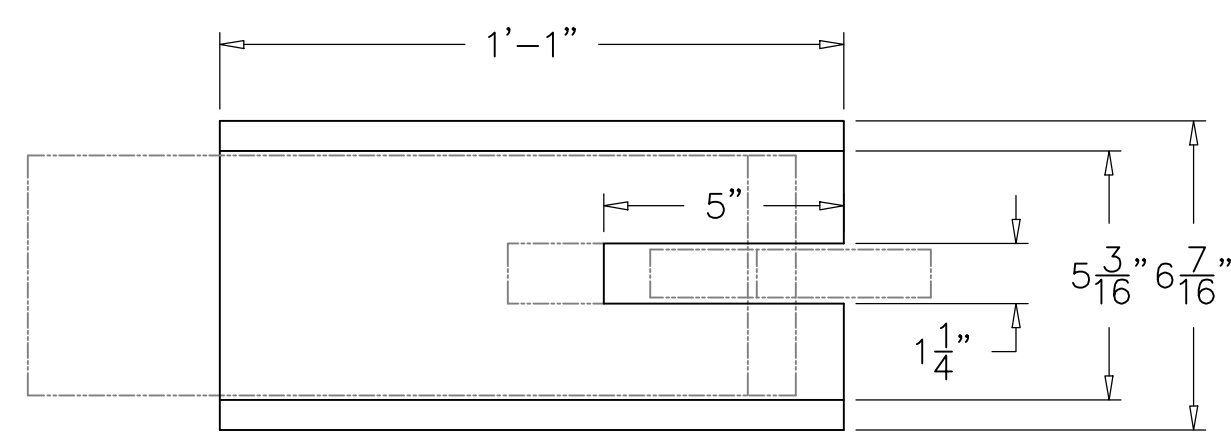
TRASH DOOR DETAILS  
EXPANDED VIEW



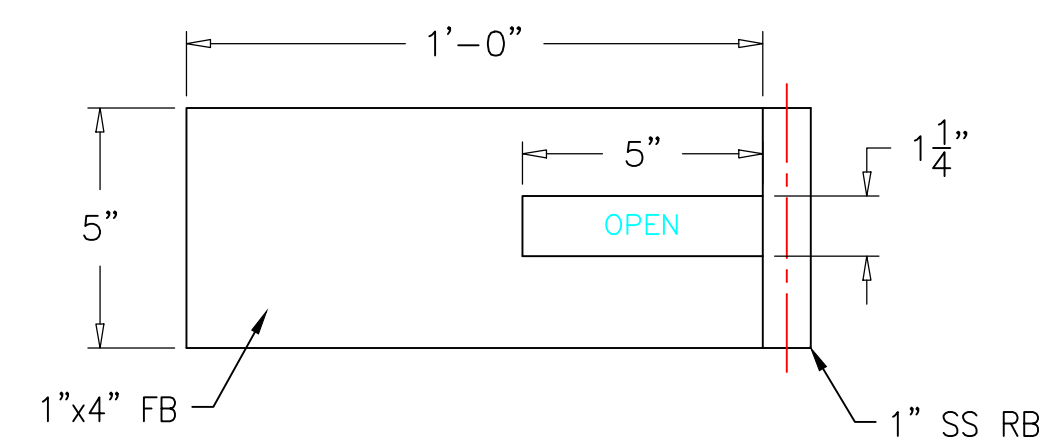
TRASH DOOR LEVER DETAILS  
SCALE: 3"=1'-0"



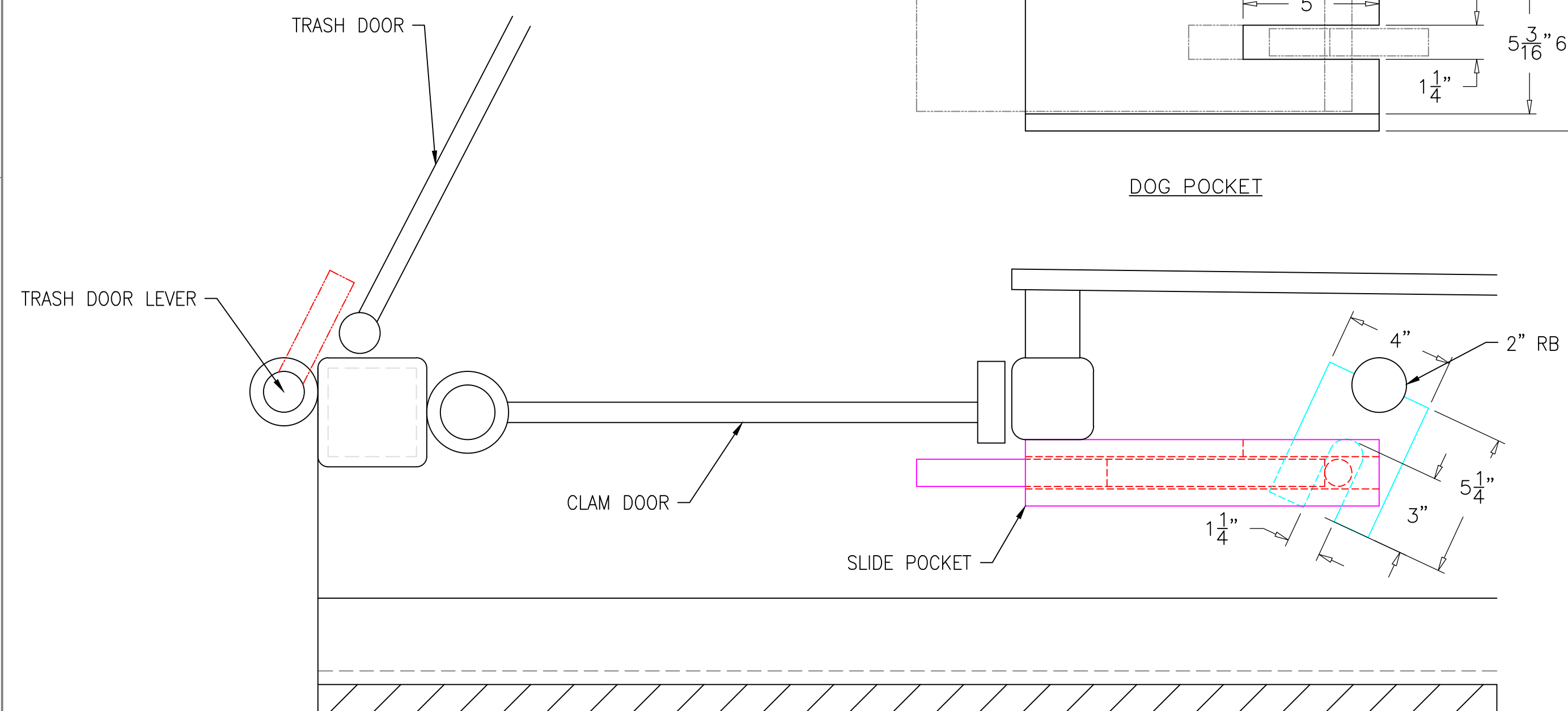
TRASH DOOR OPENING  
LOOKING FORWARD



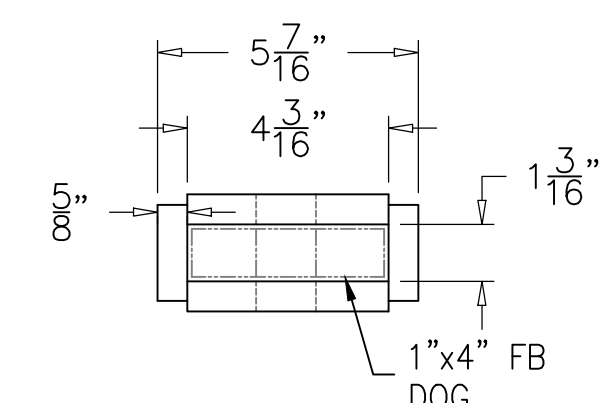
DOG POCKET



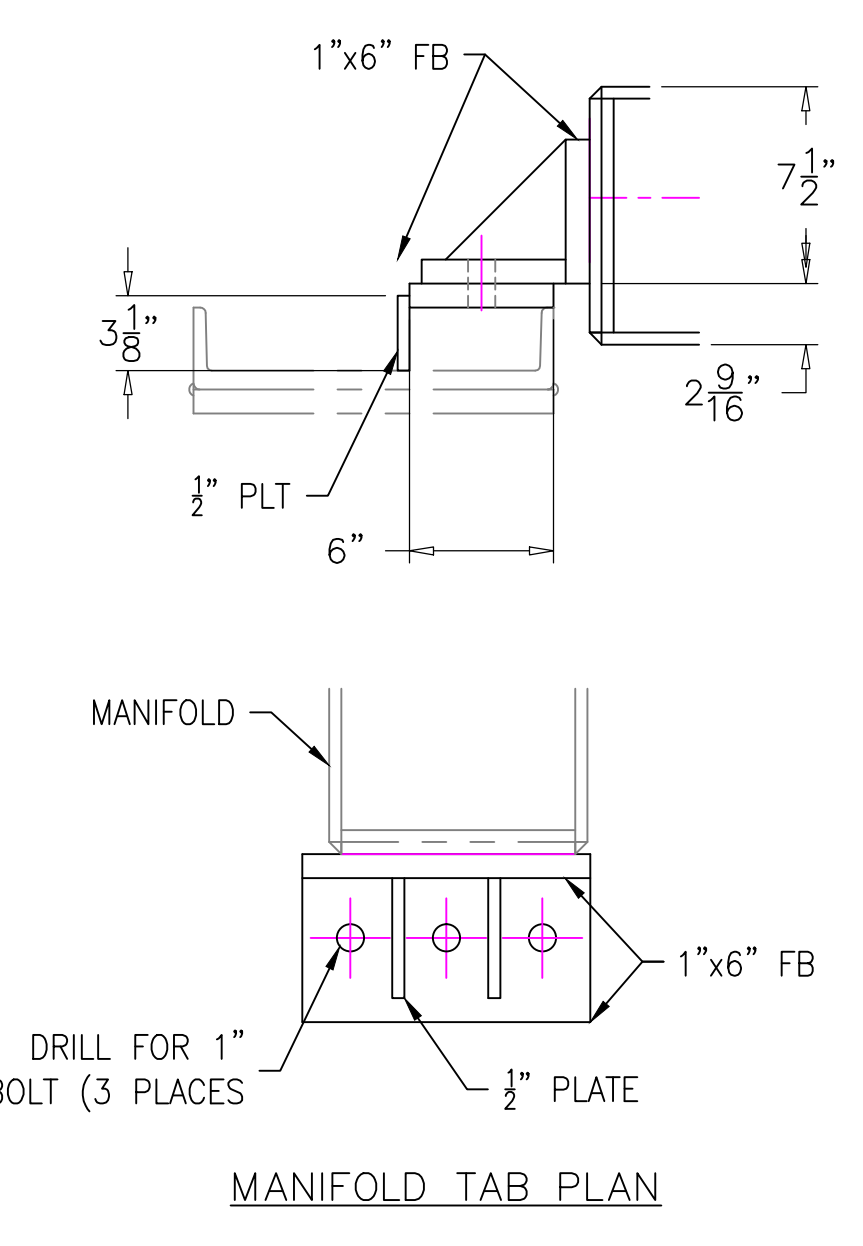
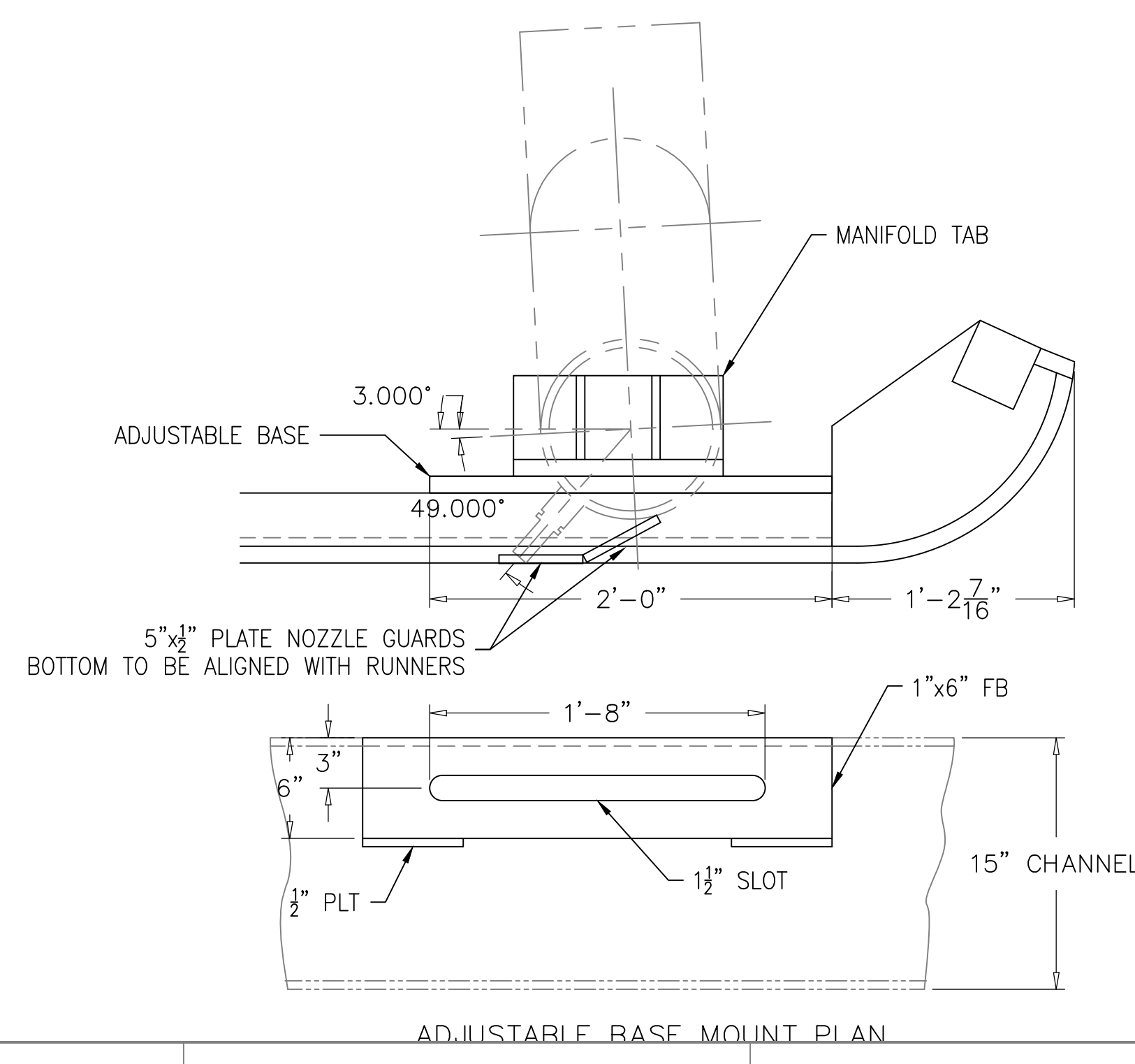
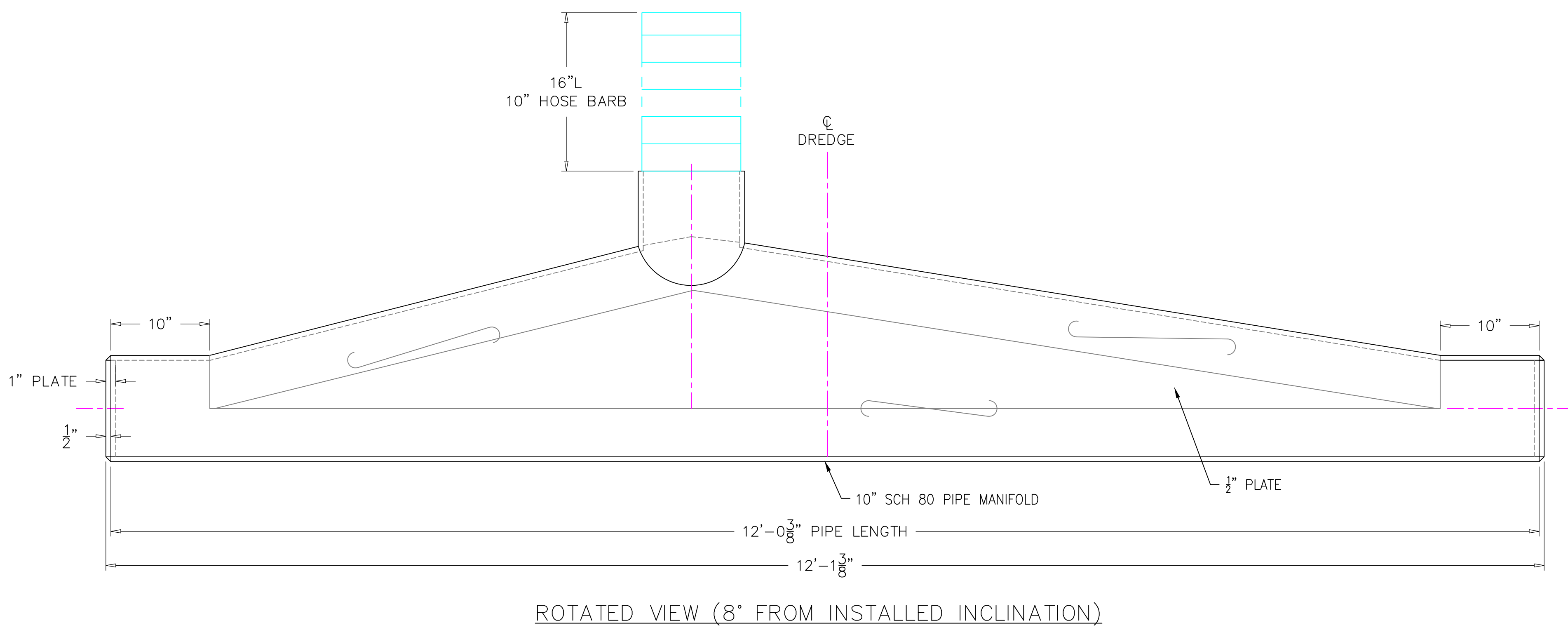
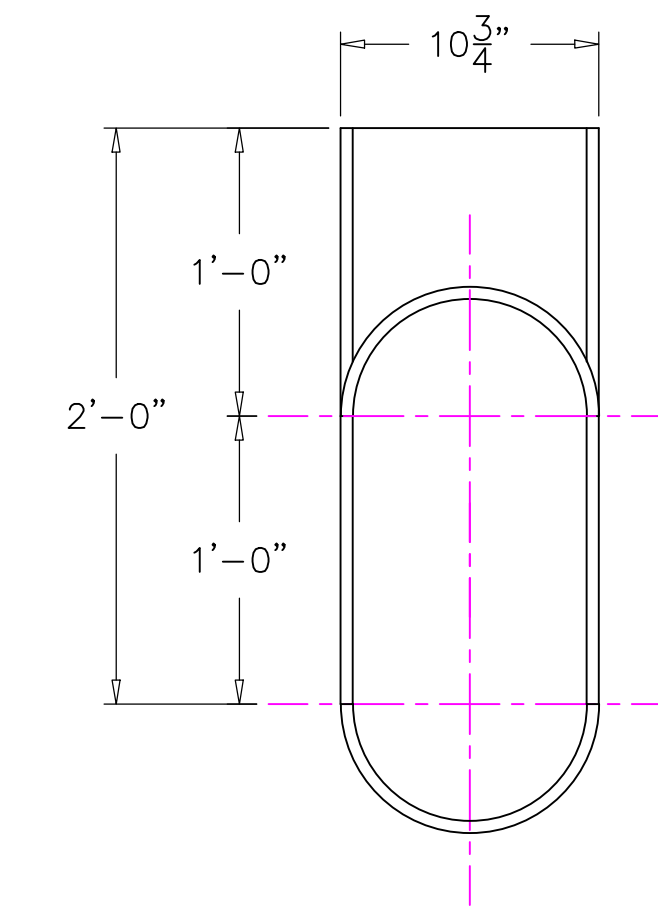
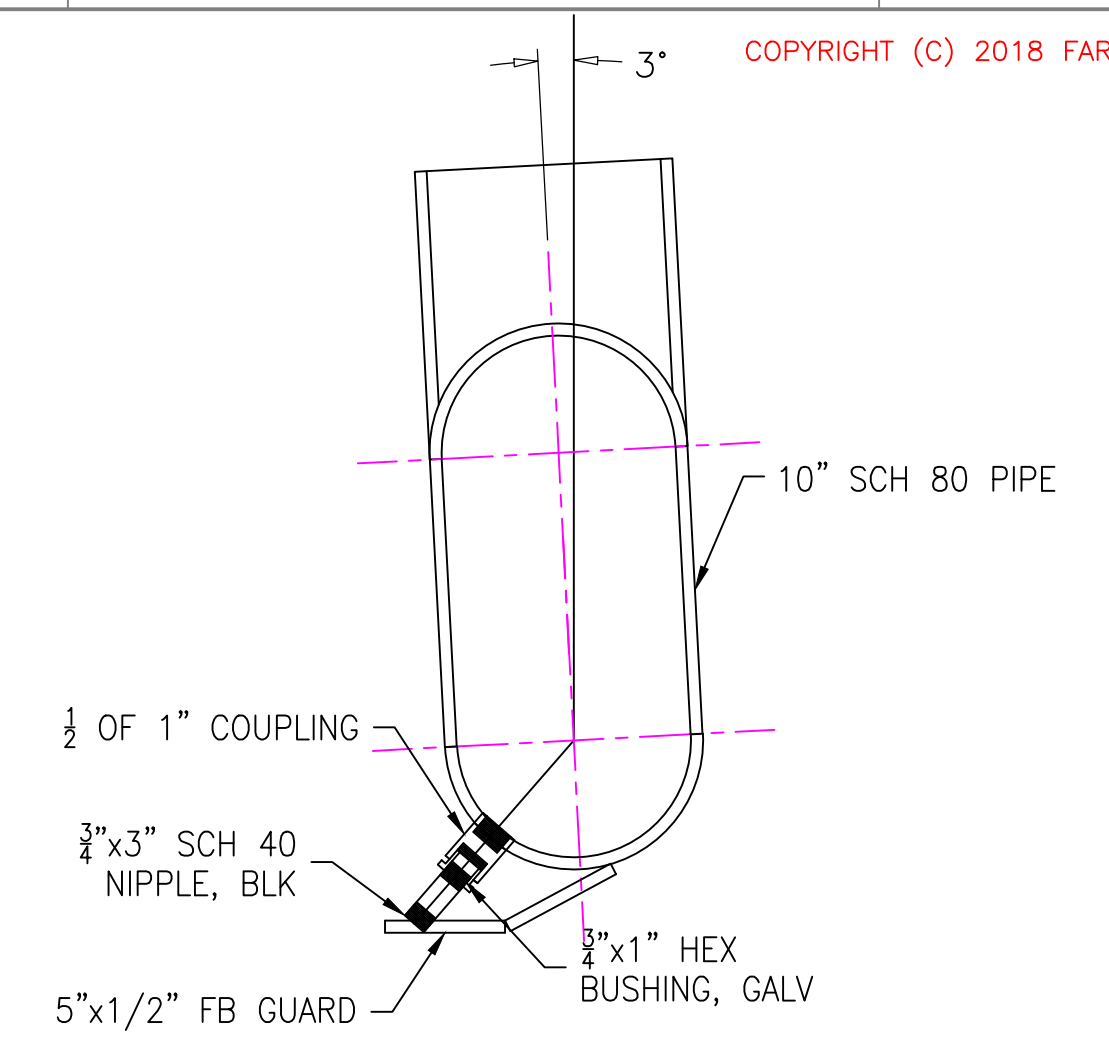
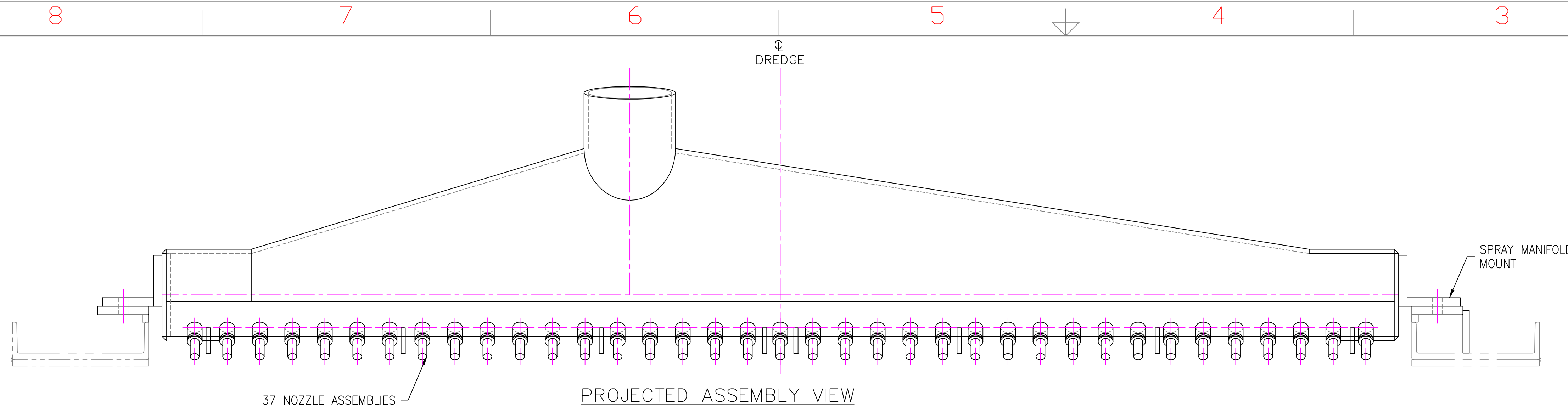
DOG



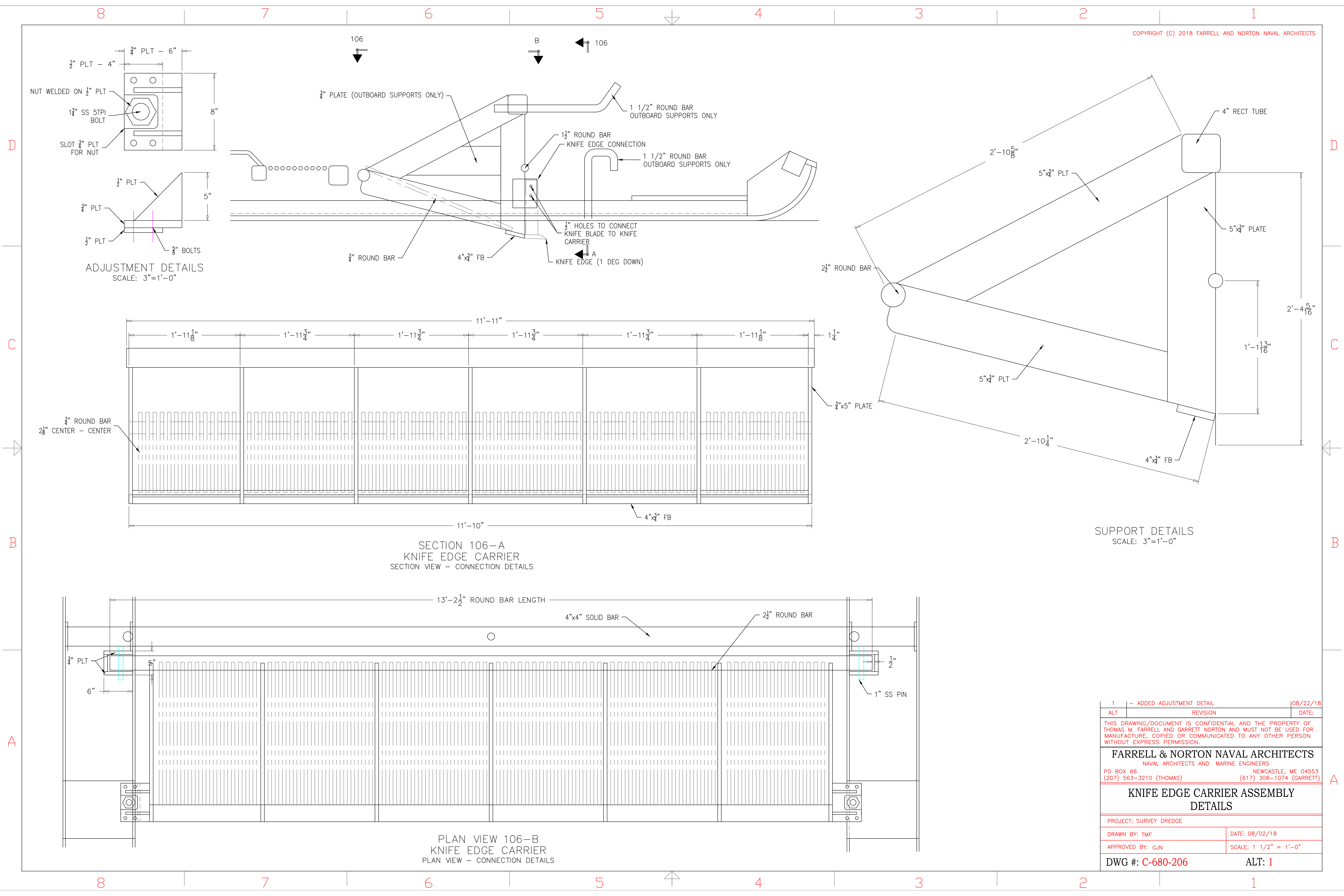
CLAM DOOR DOG ASSEMBLY  
SCALE: 3"=1'-0"



ALT	REVISION	DATE:
THIS DRAWING/DOCUMENT IS CONFIDENTIAL AND THE PROPERTY OF THOMAS M. FARRELL AND GARRETT NORTON AND MUST NOT BE USED FOR MANUFACTURE, COPIED OR COMMUNICATED TO ANY OTHER PERSON WITHOUT EXPRESS PERMISSION.		
<b>FARRELL &amp; NORTON NAVAL ARCHITECTS</b>		
NAVAL ARCHITECTS AND MARINE ENGINEERS		
PO BOX 66 (207) 563-3210 (THOMAS)		NEWCASTLE, ME 04553 (617) 308-1074 (GARRETT)
<b>CONSTRUCTION SECTION DETAILS</b>		
PROJECT: SURVEY DREDGE		
DRAWN BY: TMF		DATE: 08/02/18
APPROVED BY: GJN		SCALE: 3/4" = 1'-0"
DWG #: C-680-204		ALT: 0



1	-REVISED NOZZLE GUARDS	08/22/18
ALT	REVISION	DATE:
THIS DRAWING/DOCUMENT IS CONFIDENTIAL AND THE PROPERTY OF THOMAS M. FARRELL AND GARRETT NORTON AND MUST NOT BE USED FOR MANUFACTURE, COPIED OR COMMUNICATED TO ANY OTHER PERSON WITHOUT EXPRESS PERMISSION.		
<b>FARRELL &amp; NORTON NAVAL ARCHITECTS</b>		
NAVAL ARCHITECTS AND MARINE ENGINEERS		
PO BOX 66 (207) 563-3210 (THOMAS)		NEWCASTLE, ME 04553 (617) 308-1074 (GARRETT)
<b>SPRAY MANIFOLD DETAILS</b>		
PROJECT: SURVEY DREDGE		
DRAWN BY: TMF		DATE: 08/01/18
APPROVED BY: GJN		SCALE: 1 1/2" = 1'-0"
DWG #: C-680-205		ALT: 1



1	- ADDED ADJUSTMENT DETAIL	08/22/18
ALT	REVISION	DATE:
THIS DRAWING/DOCUMENT IS CONFIDENTIAL AND THE PROPERTY OF THOMAS M. FARRELL AND GARRETT NORTON AND MUST NOT BE USED FOR MANUFACTURE, COPIED OR COMMUNICATED TO ANY OTHER PERSON WITHOUT EXPRESS PERMISSION.		
<b>FARRELL &amp; NORTON NAVAL ARCHITECTS</b>		
NAVAL ARCHITECTS AND MARINE ENGINEERS		
PO BOX 66	NEWCASTLE, ME 04553	
(207) 563-3210 (THOMAS)	(617) 308-1074 (GARRETT)	
<b>KNIFE EDGE CARRIER ASSEMBLY DETAILS</b>		
PROJECT: SURVEY DREDGE		
DRAWN BY: TMF	DATE: 08/02/18	
APPROVED BY: GJN	SCALE: 1 1/2" = 1'-0"	
DWG #: C-680-206	ALT: 1	