

8

7

6

5

4

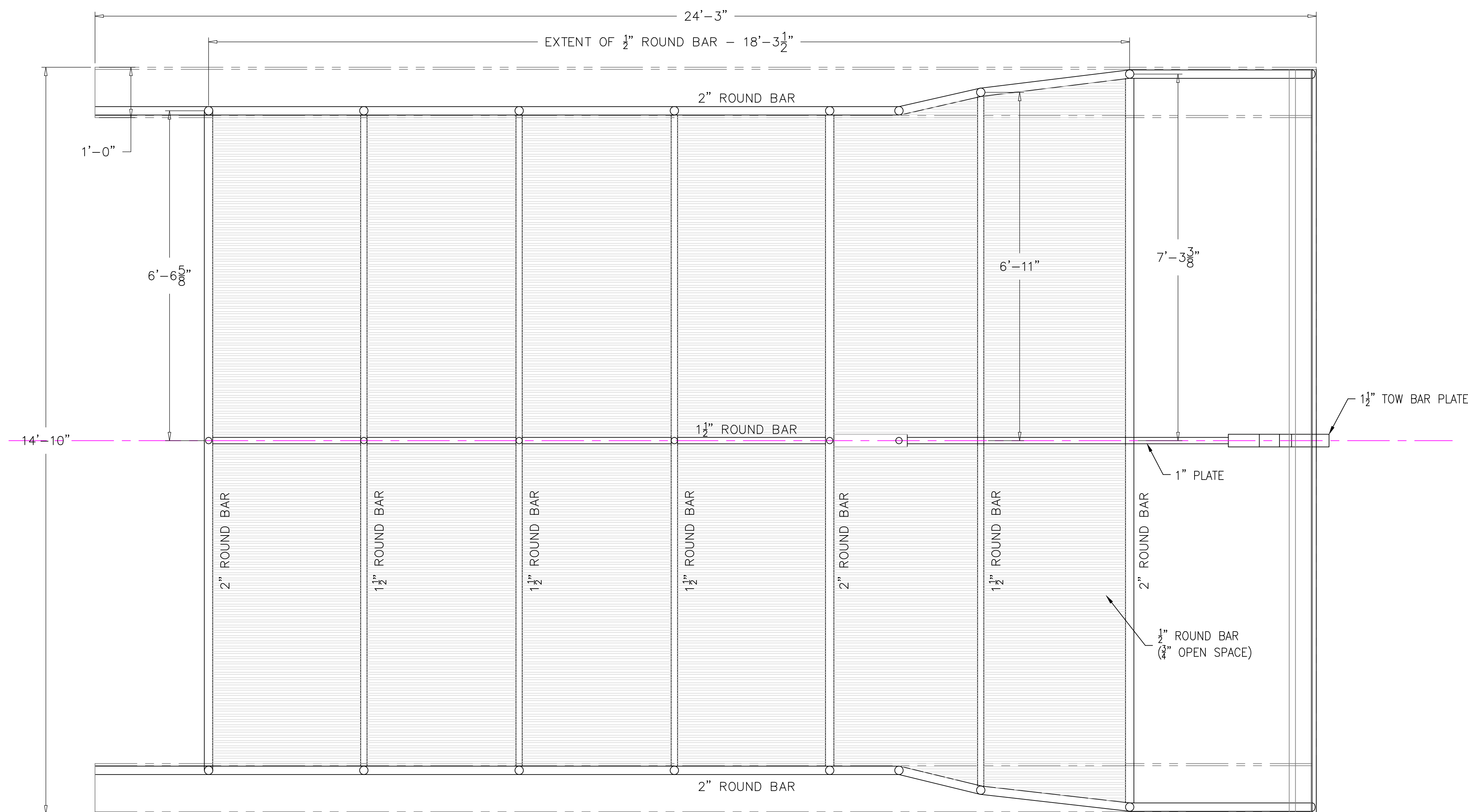
3

2

1

GENERAL NOTES

- 1.) CONSTRUCT DREDGE ON PLATEN TO ENSURE NO TWIST OR BOW. AFTER CONSTRUCTION OF FRAME AND RUNNERS, CUT DREDGE LOOSE AND WELD AR500 HARD PLATES TO BOTTOM OF CHANNEL RUNNERS.
- 2.) USE 11018 (OR EQUIVALENT) STICK FOR WELDING AR500 HARD PLATE TO A-36 CHANNEL. IF WIRE FEED USED, ENSURE EQUIVALENCY TO NOTED ROD TYPE.
- 3.) ALL MATERIAL TO BE A-36 STEEL UNLESS NOTED. ALL WELDING TO BE 3/8" CONTINUOUS FILLET WELDING



TOP VIEW
LOOKING DOWN

ALT	REVISION	DATE:
THIS DRAWING/DOCUMENT IS CONFIDENTIAL AND THE PROPERTY OF THOMAS M. FARRELL AND GARRETT NORTON AND MUST NOT BE USED FOR MANUFACTURE, COPIED OR COMMUNICATED TO ANY OTHER PERSON WITHOUT EXPRESS PERMISSION.		
FARRELL & NORTON NAVAL ARCHITECTS NAVAL ARCHITECTS AND MARINE ENGINEERS		
PO BOX 66 (207) 563-3210 (THOMAS)		NEWCASTLE, ME 04553 (617) 308-1074 (GARRETT)
TOP FRAME DETAILS		
PROJECT: SELECTIVITY DREDGE		
DRAWN BY: TMF		DATE: 02/25/18
APPROVED BY: GJN		SCALE: 3/4" = 1'-0"
DWG #: C-680-100		ALT: 0

8

7

6

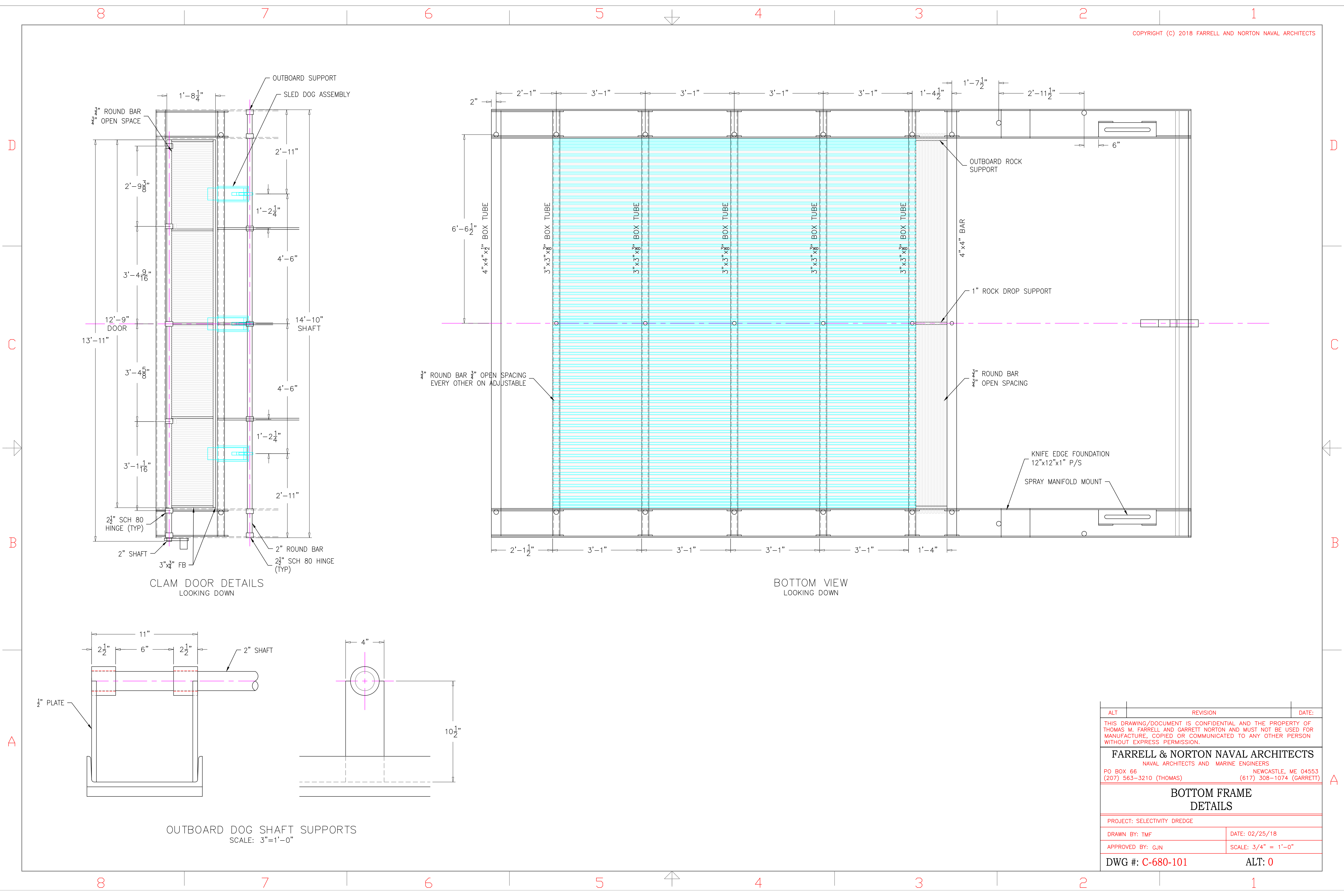
5

4

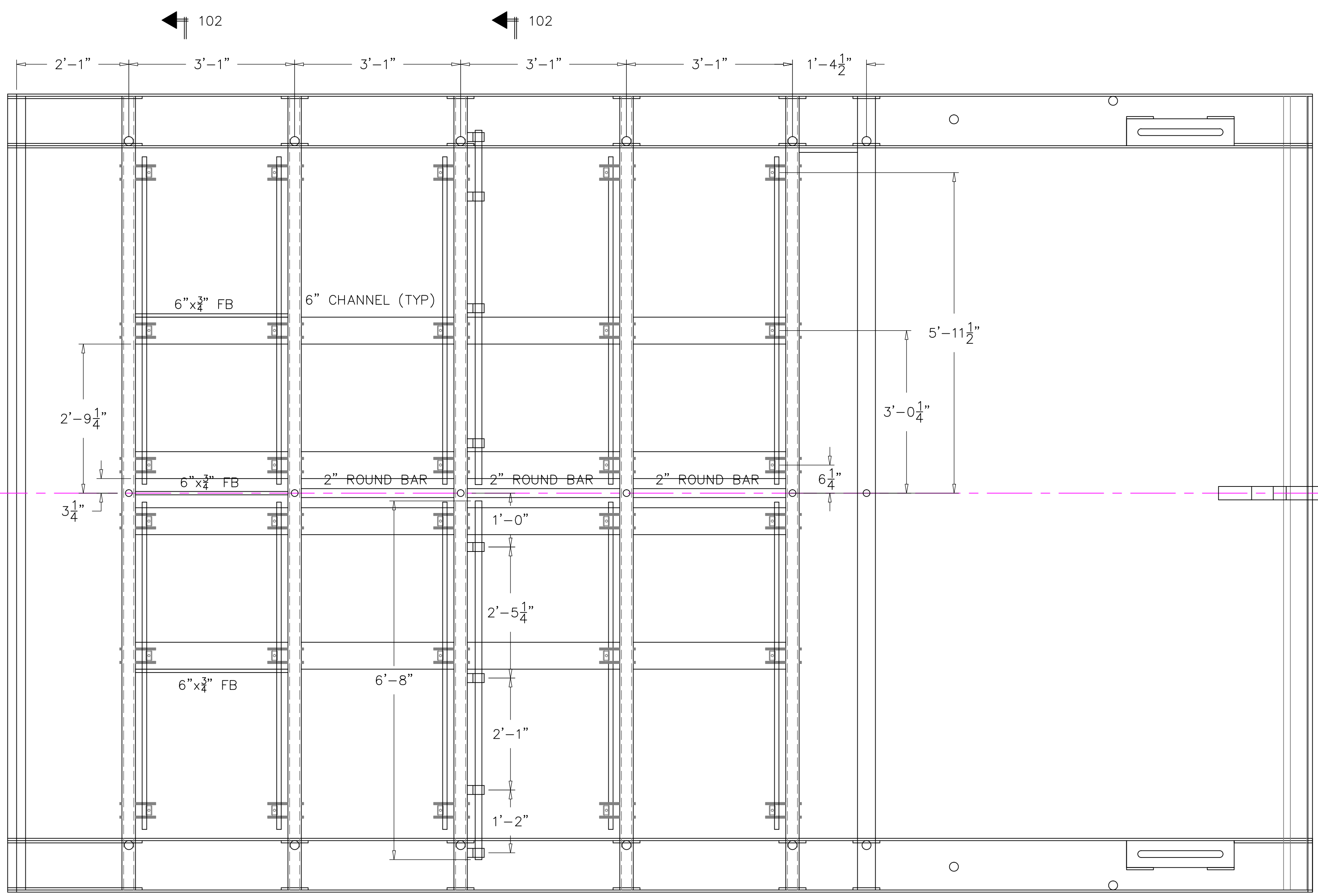
3

2

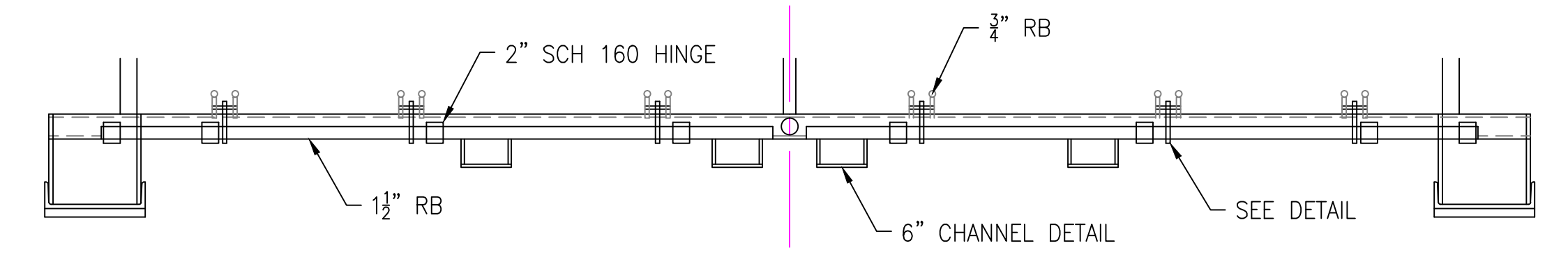
1



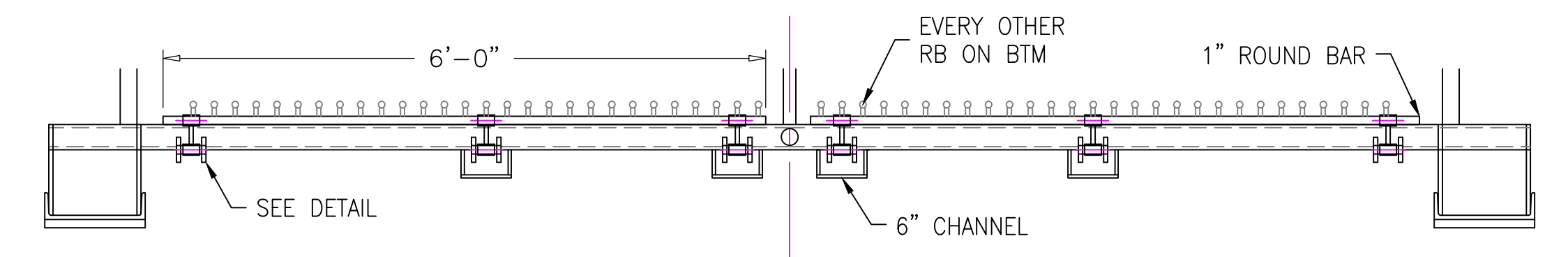
ALT	REVISION	DATE:
THIS DRAWING/DOCUMENT IS CONFIDENTIAL AND THE PROPERTY OF THOMAS M. FARRELL AND GARRETT NORTON AND MUST NOT BE USED FOR MANUFACTURE, COPIED OR COMMUNICATED TO ANY OTHER PERSON WITHOUT EXPRESS PERMISSION.		
FARRELL & NORTON NAVAL ARCHITECTS NAVAL ARCHITECTS AND MARINE ENGINEERS		
PO BOX 66 (207) 563-3210 (THOMAS)		NEWCASTLE, ME 04553 (617) 308-1074 (GARRETT)
BOTTOM FRAME DETAILS		
PROJECT: SELECTIVITY DREDGE		
DRAWN BY: TMF		DATE: 02/25/18
APPROVED BY: GJN		SCALE: 3/4" = 1'-0"
DWG #: C-680-101		ALT: 0



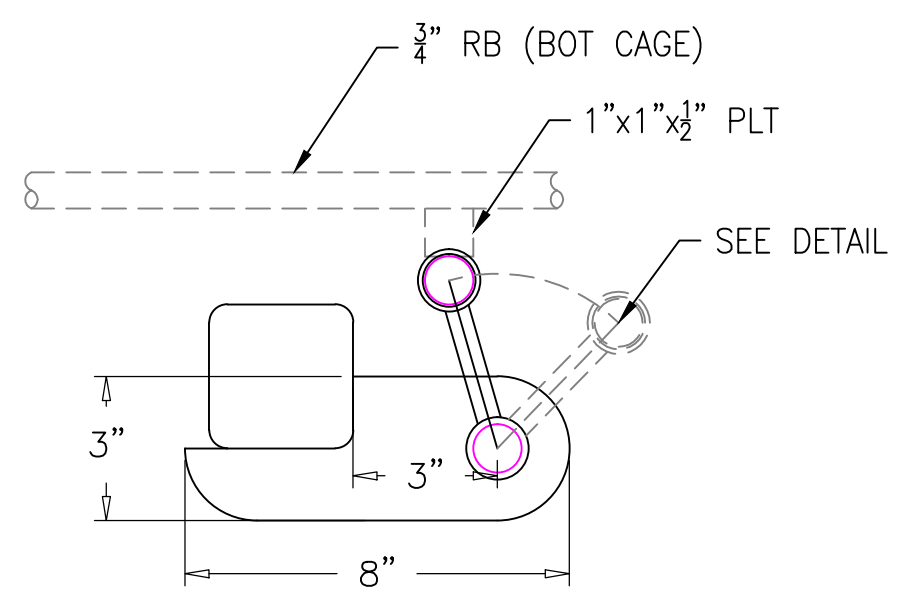
BOTTOM VIEW
ROUND BAR NOT SHOWN
LOOKING DOWN



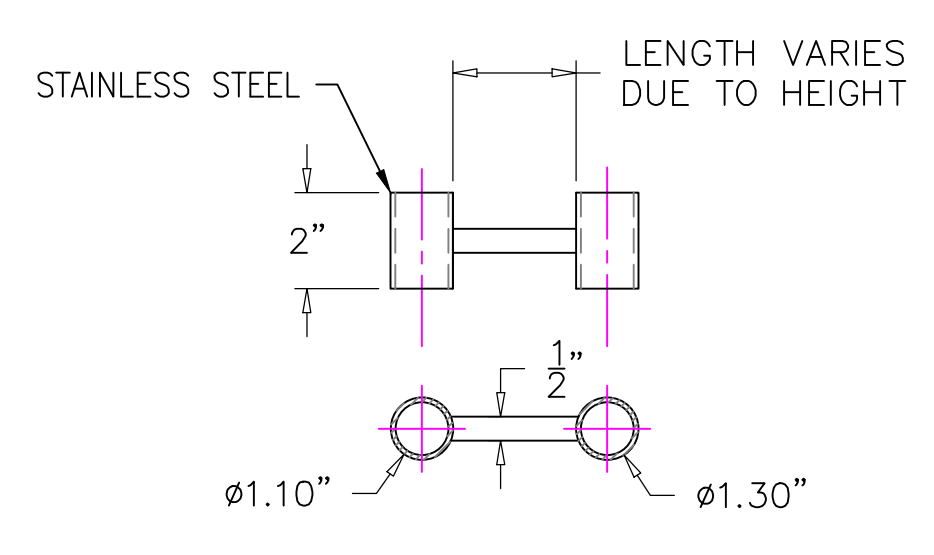
SECTION 102-1
ADJUSTABLE ROUND BAR HINGE
CONTROL ROD



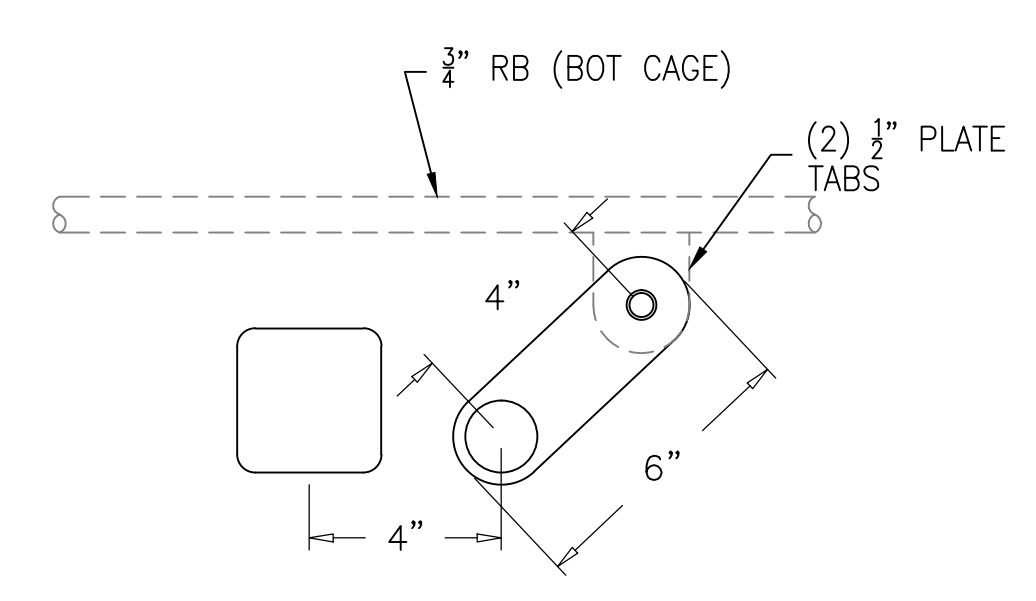
SECTION 102-B
ADJUSTABLE ROUND BAR HINGE
DEPENDENT ROD



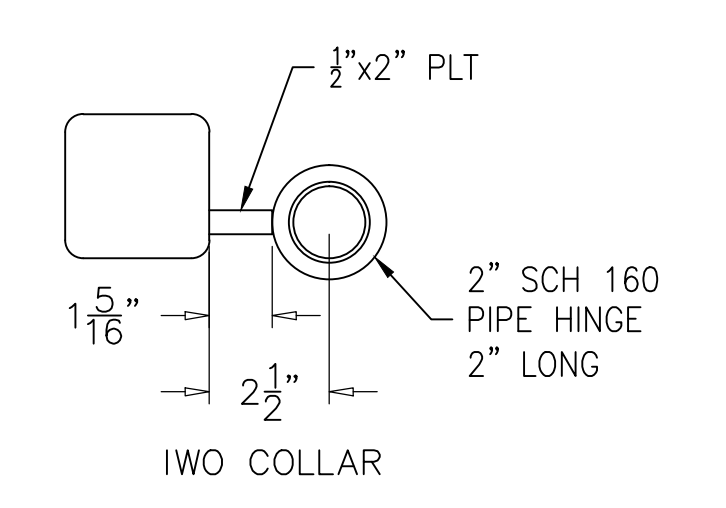
ADJUSTABLE HINGE DETAILS
SCALE: 3"=1'-0"



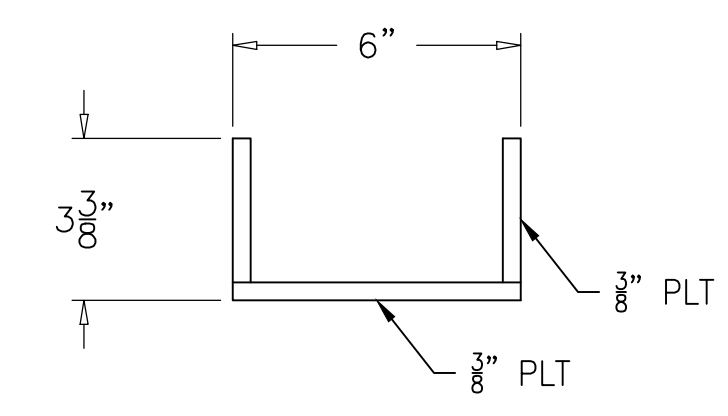
ROD DETAILS
SCALE: 3"=1'-0"



IWO RB CONNECTION
SCALE: 3"=1'-0"

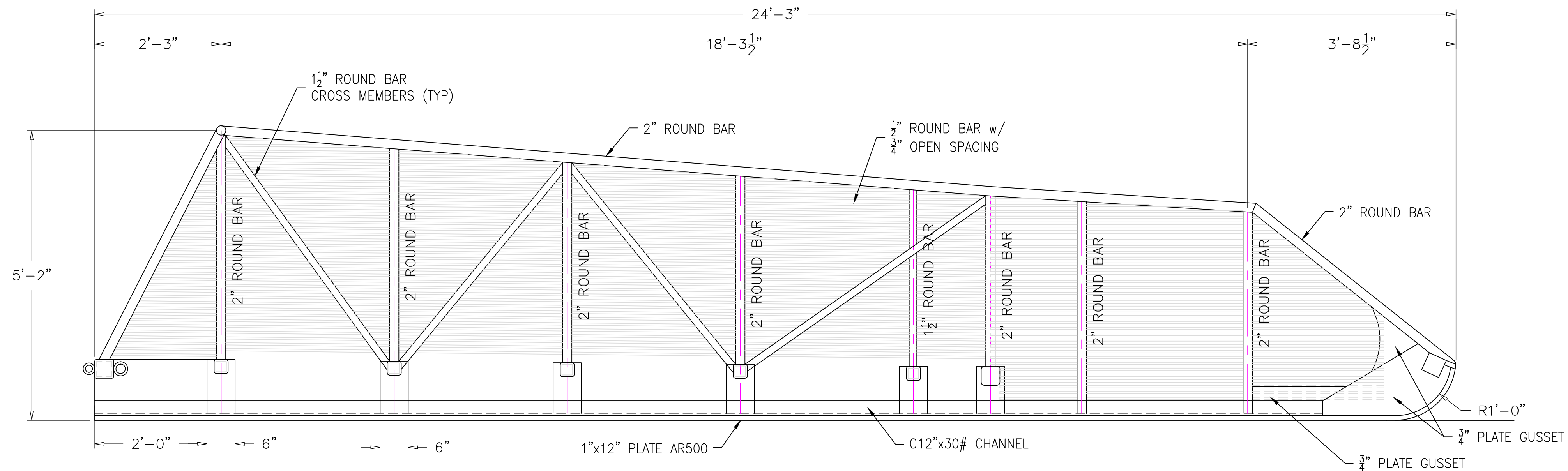


IWO COLLAR
SCALE: 3"=1'-0"

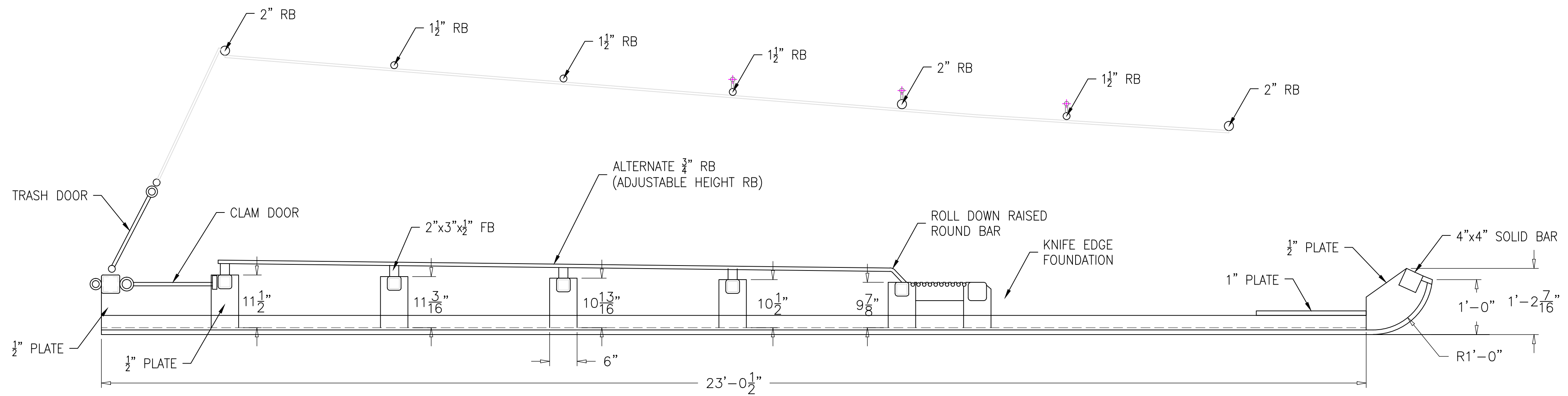


CHANNEL DETAILS
SCALE: 3"=1'-0"

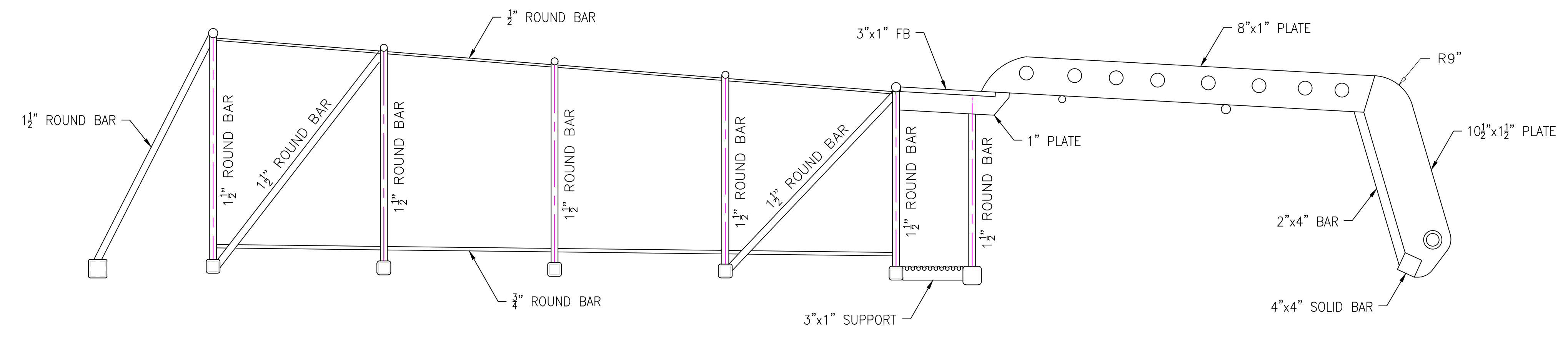
ALT	REVISION	DATE:
THIS DRAWING/DOCUMENT IS CONFIDENTIAL AND THE PROPERTY OF THOMAS M. FARRELL AND GARRETT NORTON AND MUST NOT BE USED FOR MANUFACTURE, COPIED OR COMMUNICATED TO ANY OTHER PERSON WITHOUT EXPRESS PERMISSION.		
FARRELL & NORTON NAVAL ARCHITECTS NAVAL ARCHITECTS AND MARINE ENGINEERS		
PO BOX 66 (207) 563-3210 (THOMAS)		NEWCASTLE, ME 04553 (617) 308-1074 (GARRETT)
RUNNER AND ADJUSTABLE ROUND BAR DETAILS		
PROJECT: SELECTIVITY DREDGE		
DRAWN BY: TMF	DATE: 02/25/18	
APPROVED BY: GJN	SCALE: 3/4" = 1'-0"	
DWG #: C-680-102	ALT: 0	



OUTBOARD WEB OF CHANNEL
LOOKING INBOARD

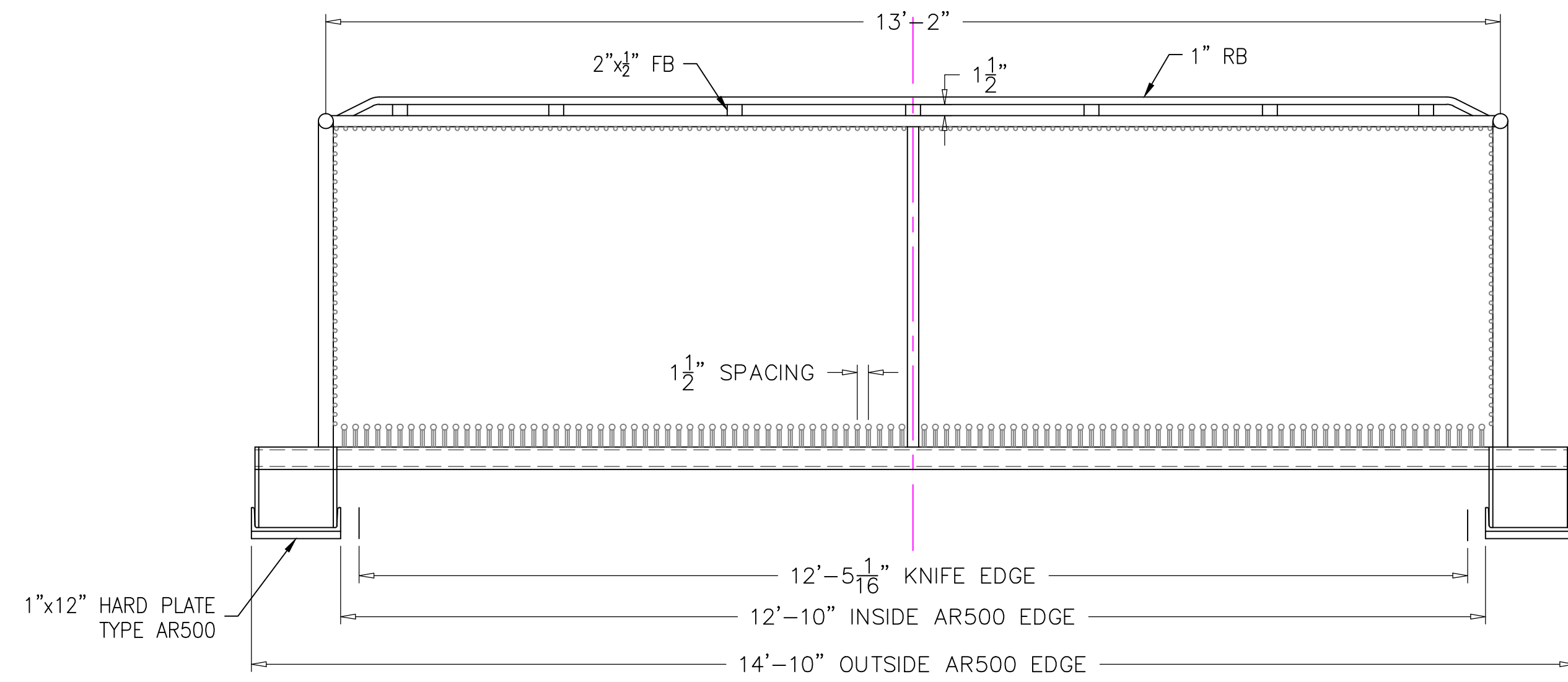


INBOARD WEB OF CHANNEL
LOOKING INBOARD

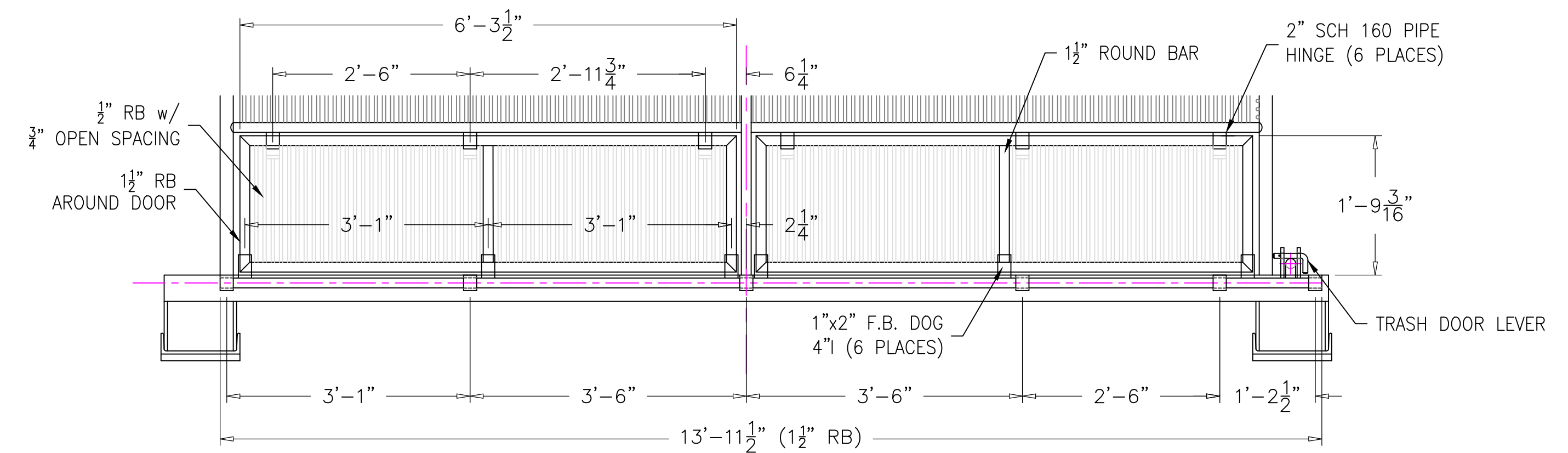


CENTERLINE PROFILE
LOOKING INBOARD

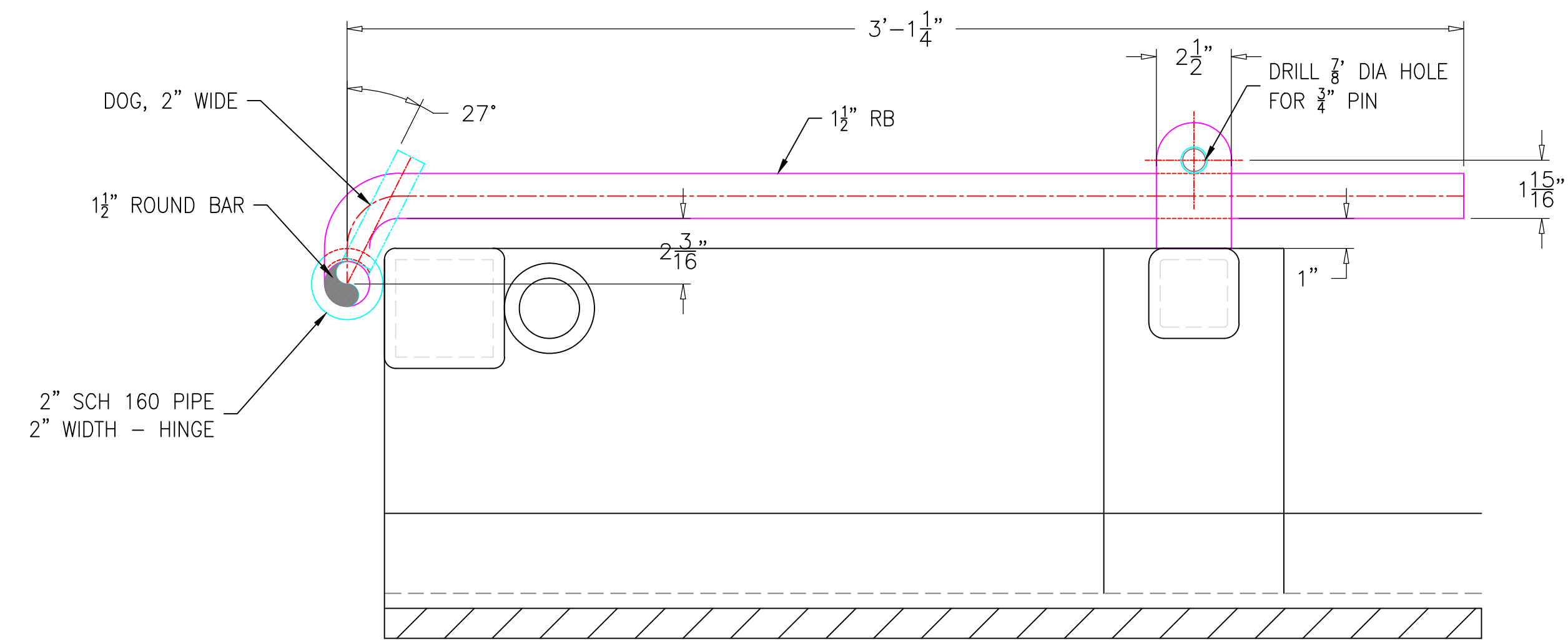
ALT	REVISION	DATE:
THIS DRAWING/DOCUMENT IS CONFIDENTIAL AND THE PROPERTY OF THOMAS M. FARRELL AND GARRETT NORTON AND MUST NOT BE USED FOR MANUFACTURE, COPIED OR COMMUNICATED TO ANY OTHER PERSON WITHOUT EXPRESS PERMISSION.		
FARRELL & NORTON NAVAL ARCHITECTS NAVAL ARCHITECTS AND MARINE ENGINEERS		
PO BOX 66 (207) 563-3210 (THOMAS)		NEWCASTLE, ME 04553 (617) 308-1074 (GARRETT)
PROFILE ARRANGEMENT AND DETAILS		
PROJECT: SELECTIVITY DREDGE		
DRAWN BY: TMF		DATE: 02/25/18
APPROVED BY: GJN		SCALE: 3/4" = 1'-0"
DWG #: C-680-103		ALT: 0



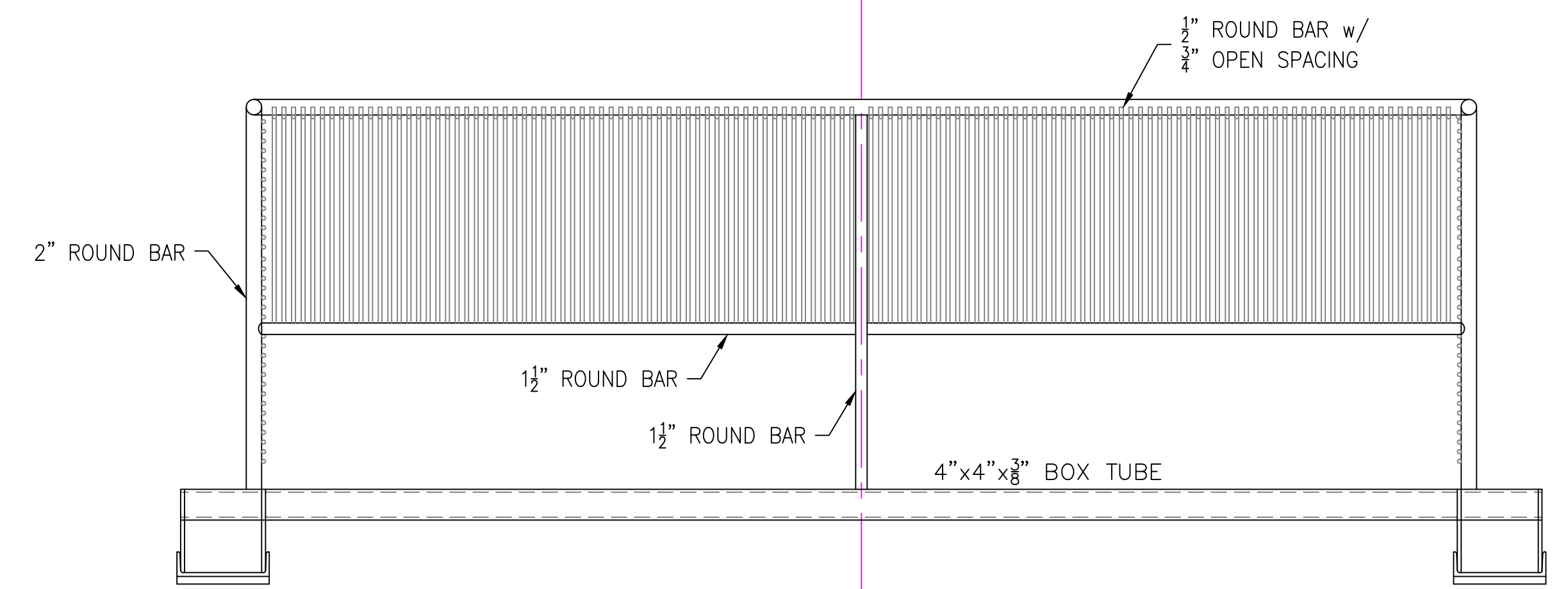
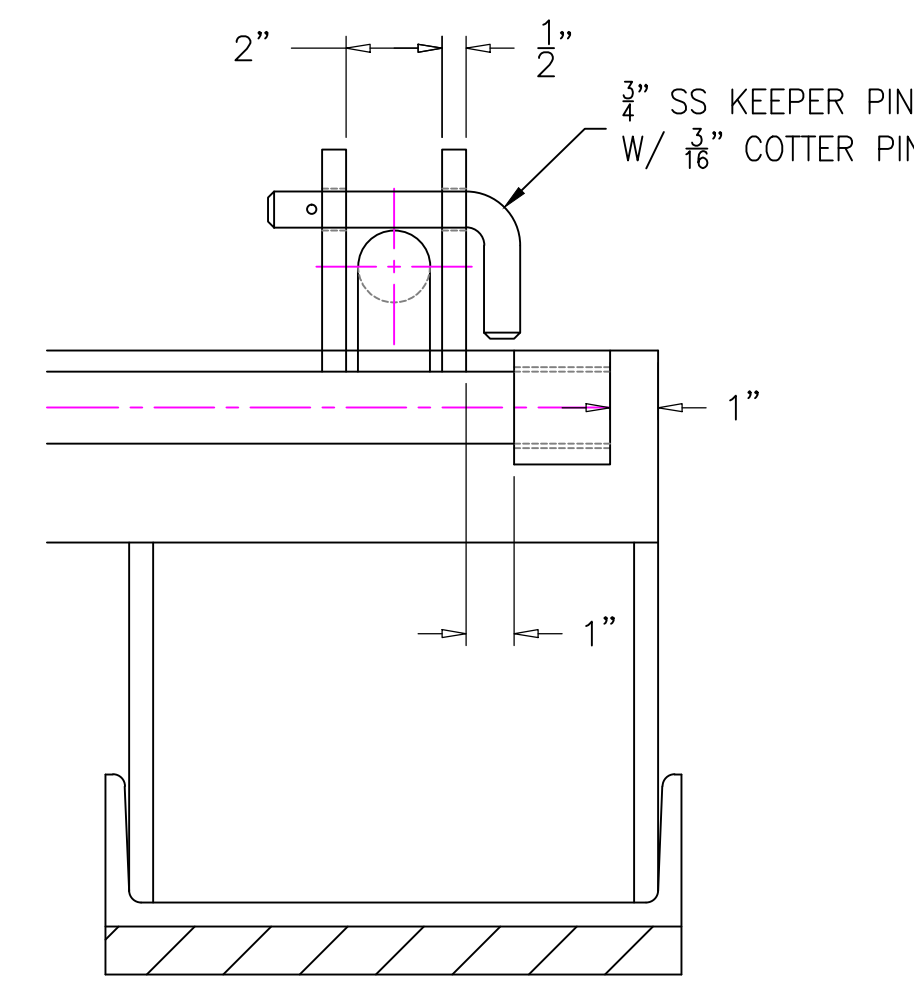
TYPICAL TRANSVERSE SECTION
LOOKING FORWARD



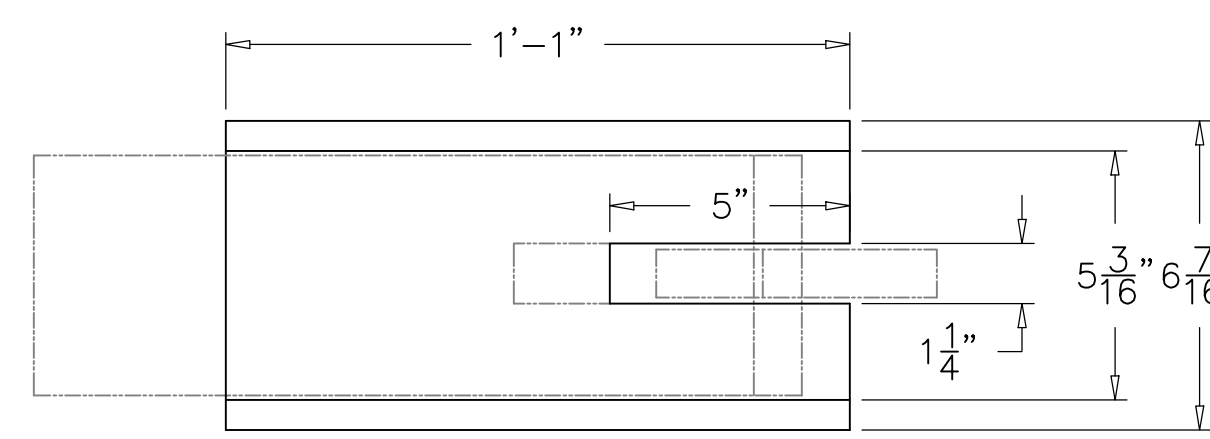
TRASH DOOR DETAILS
EXPANDED VIEW



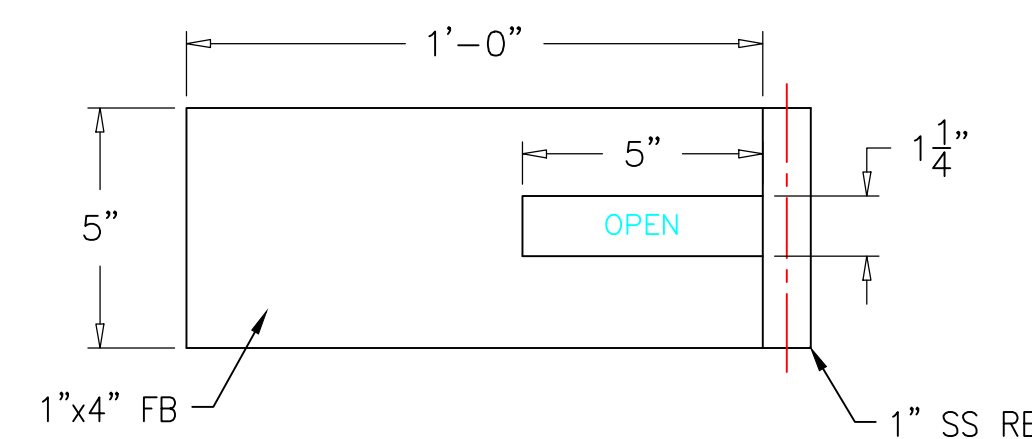
TRASH DOOR LEVER DETAILS
SCALE: 3"=1'-0"



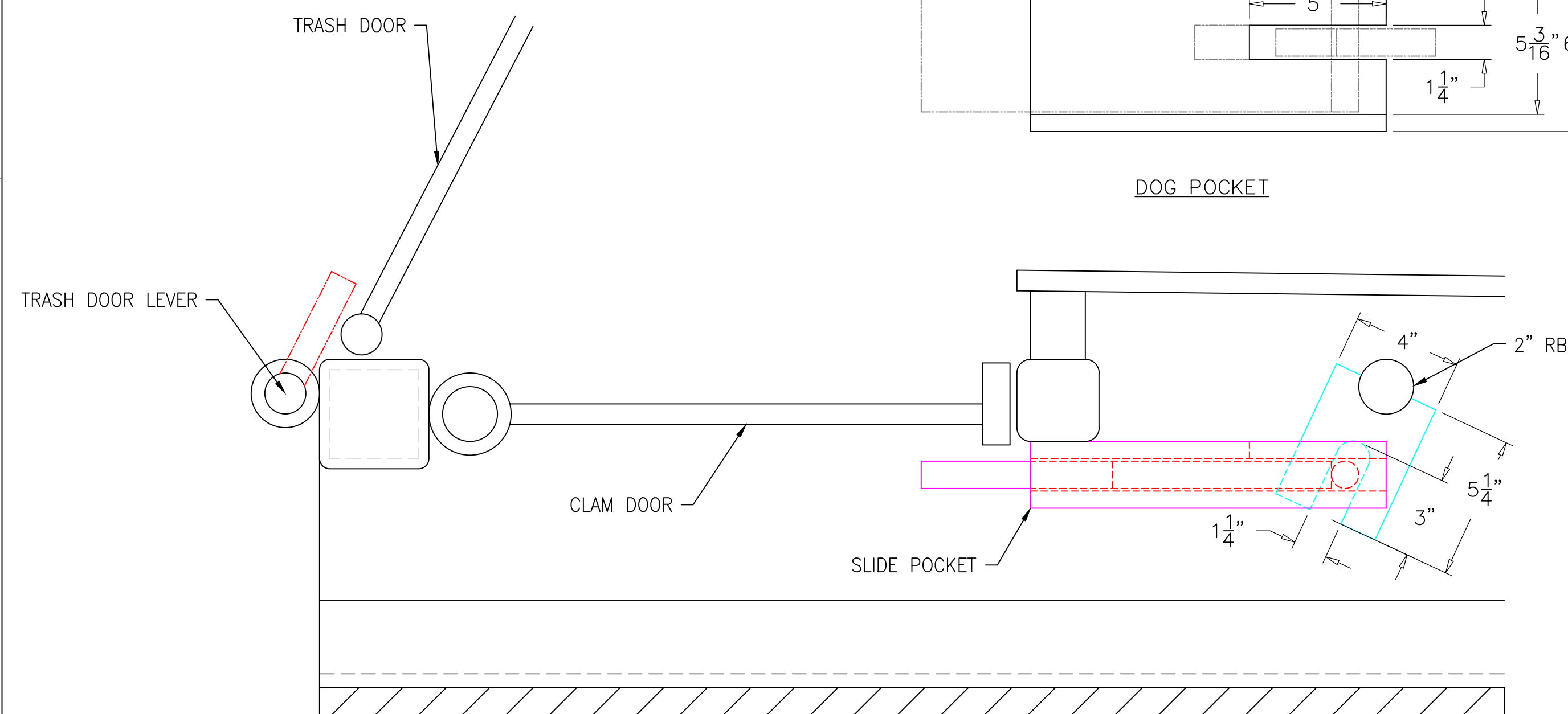
TRASH DOOR OPENING
LOOKING FORWARD



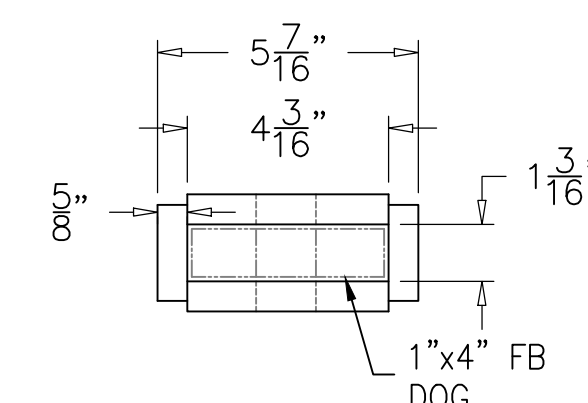
DOG POCKET



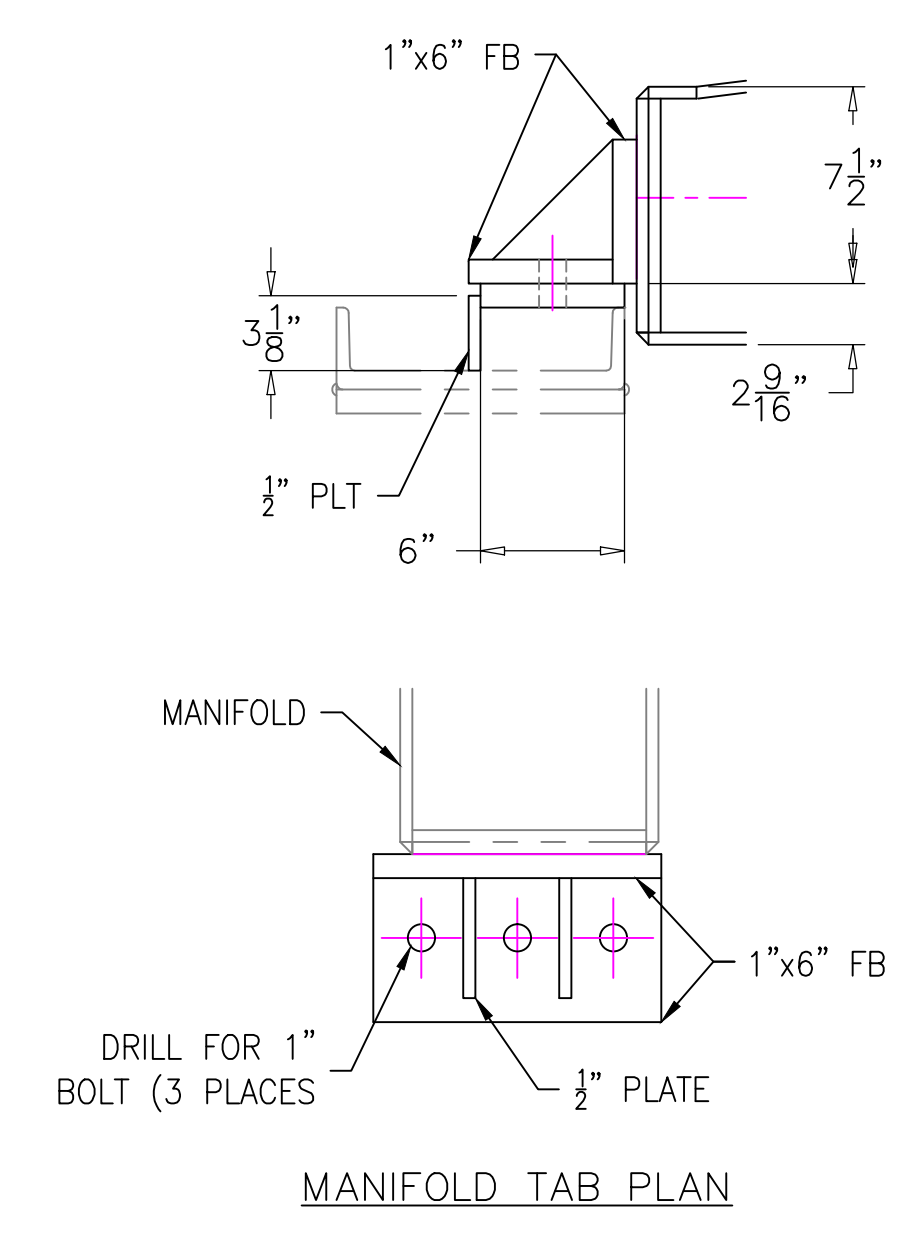
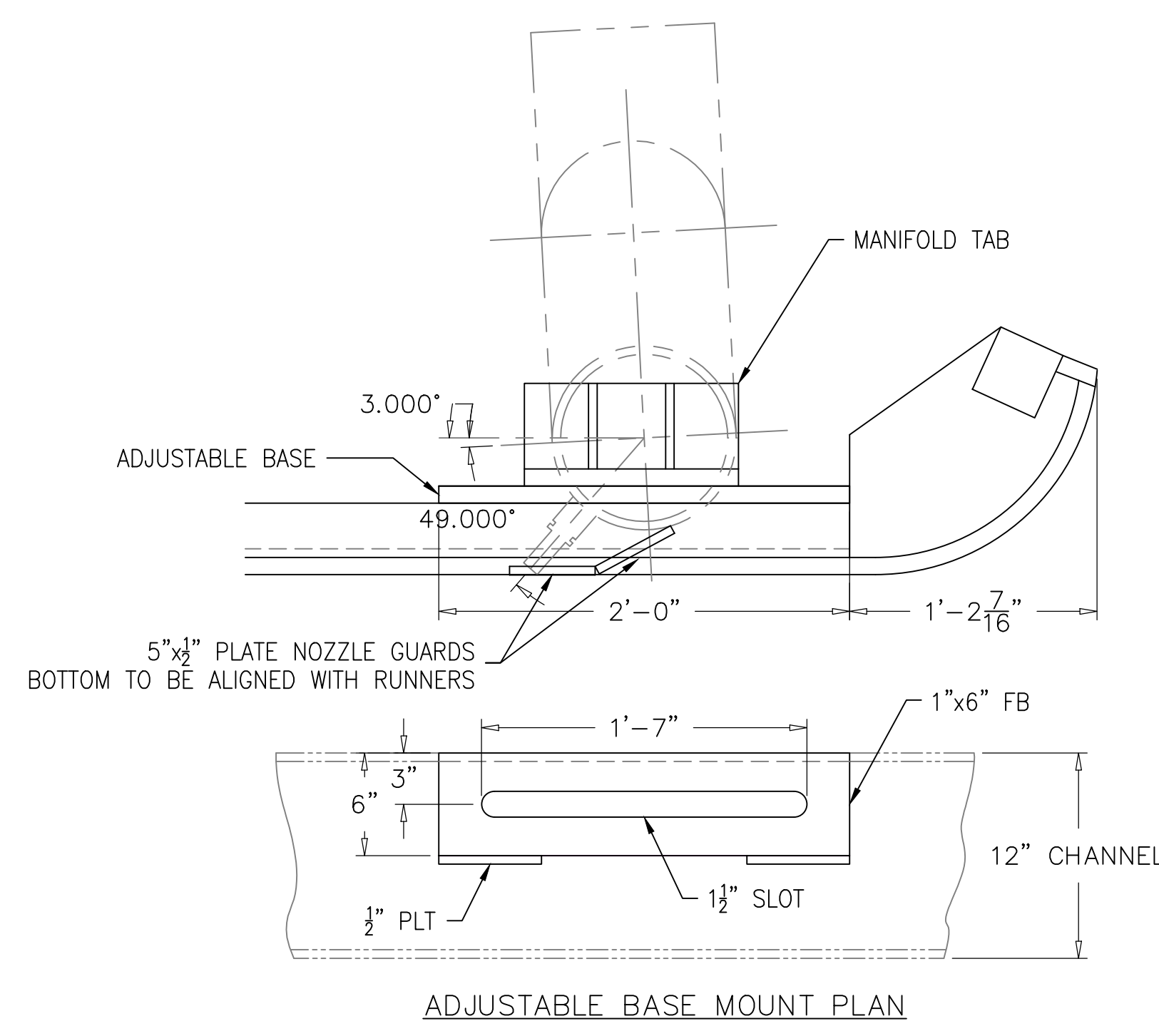
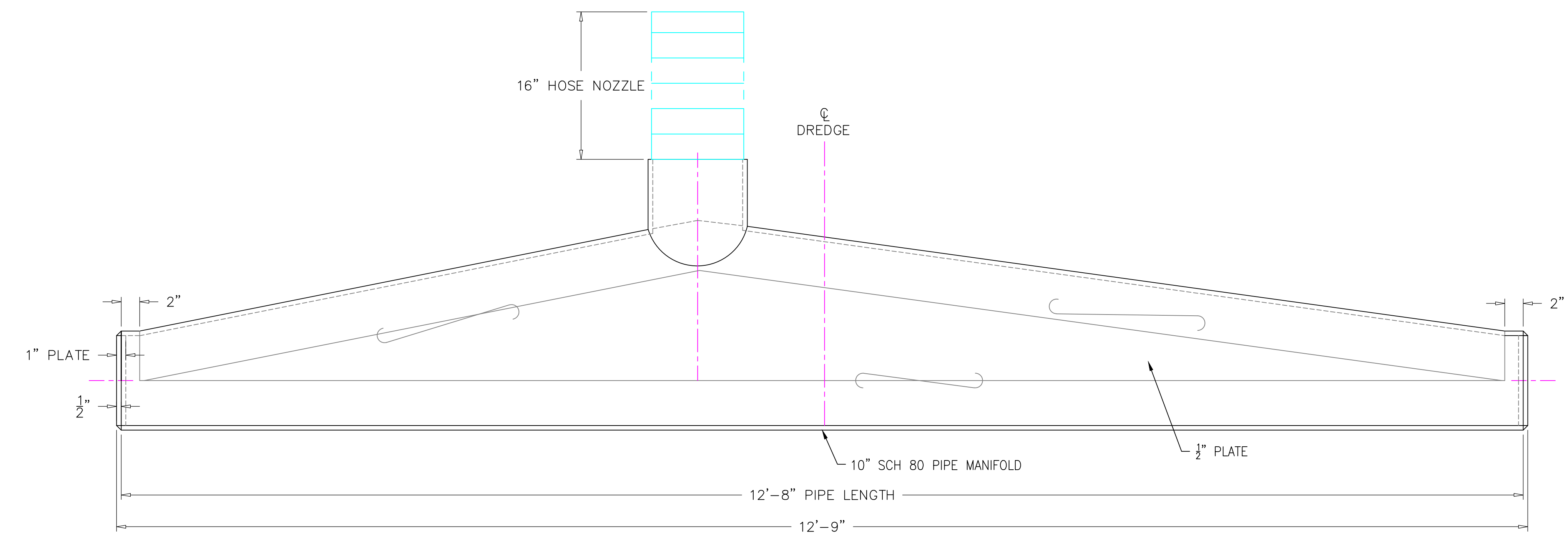
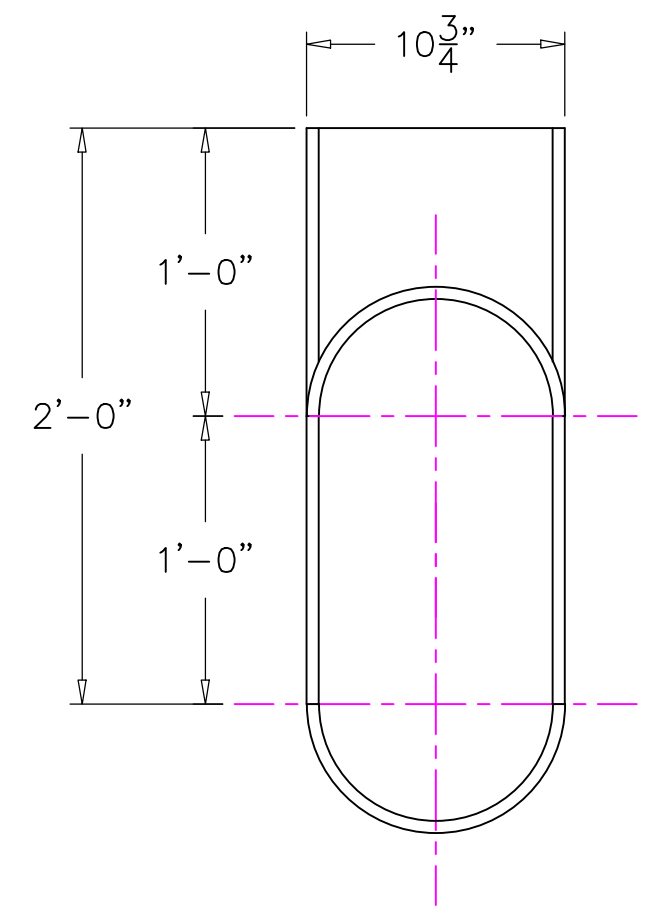
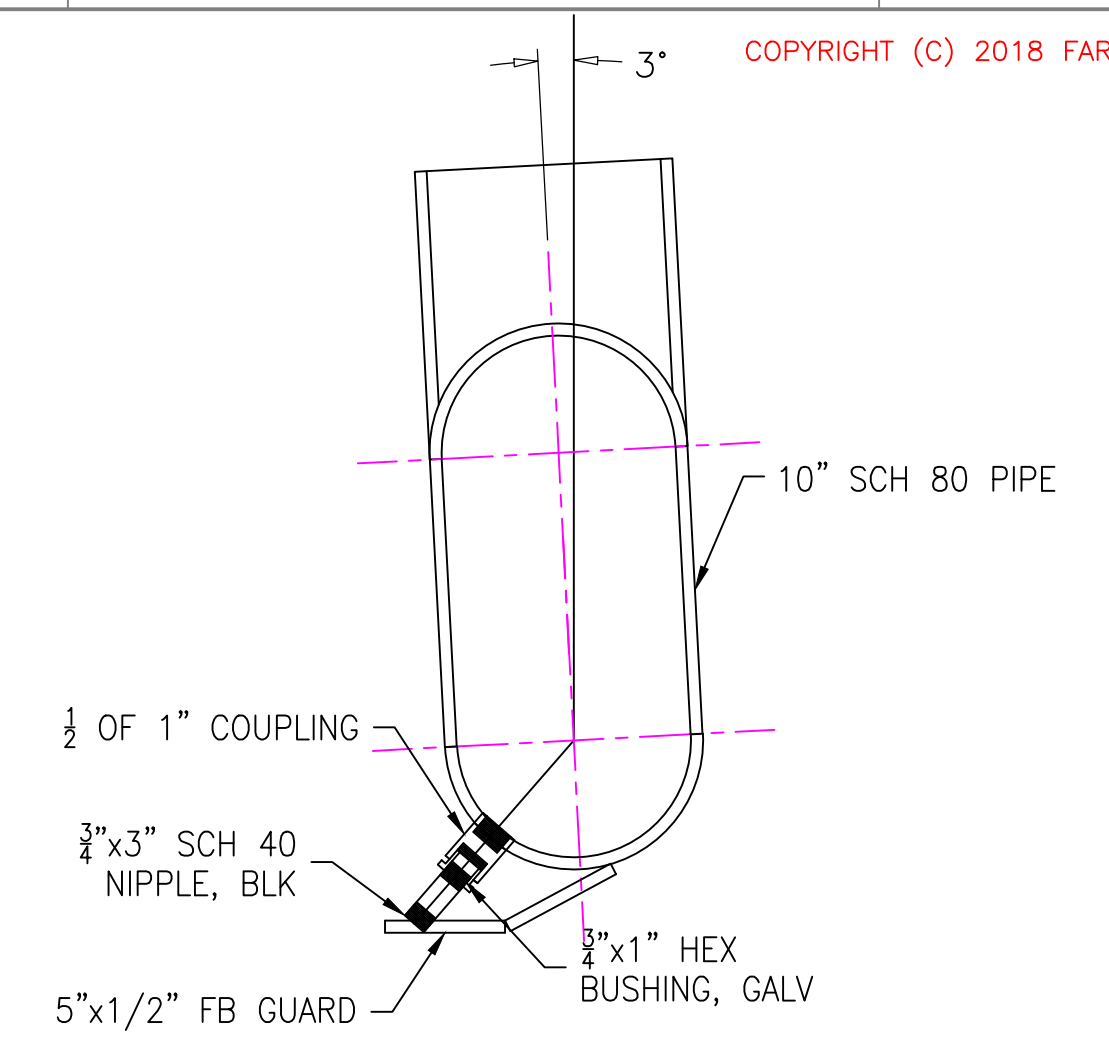
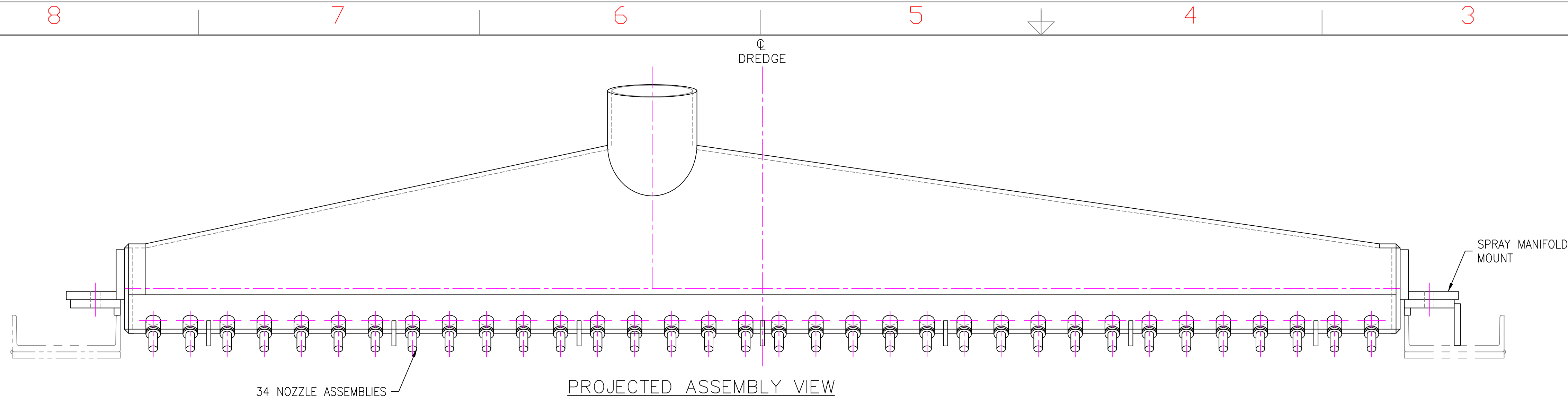
DOG



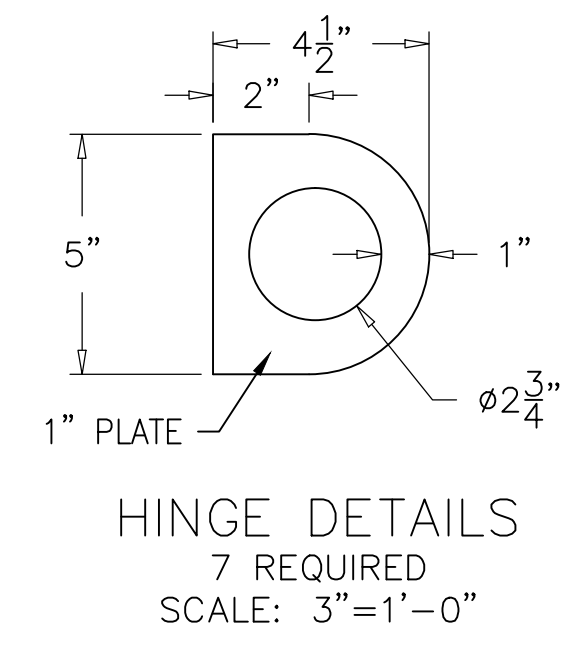
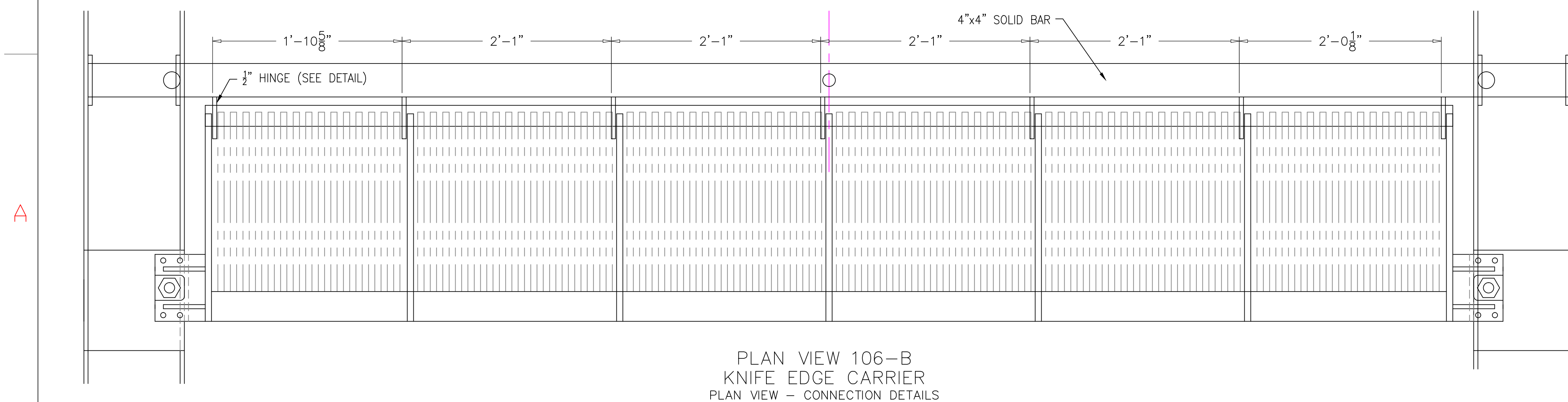
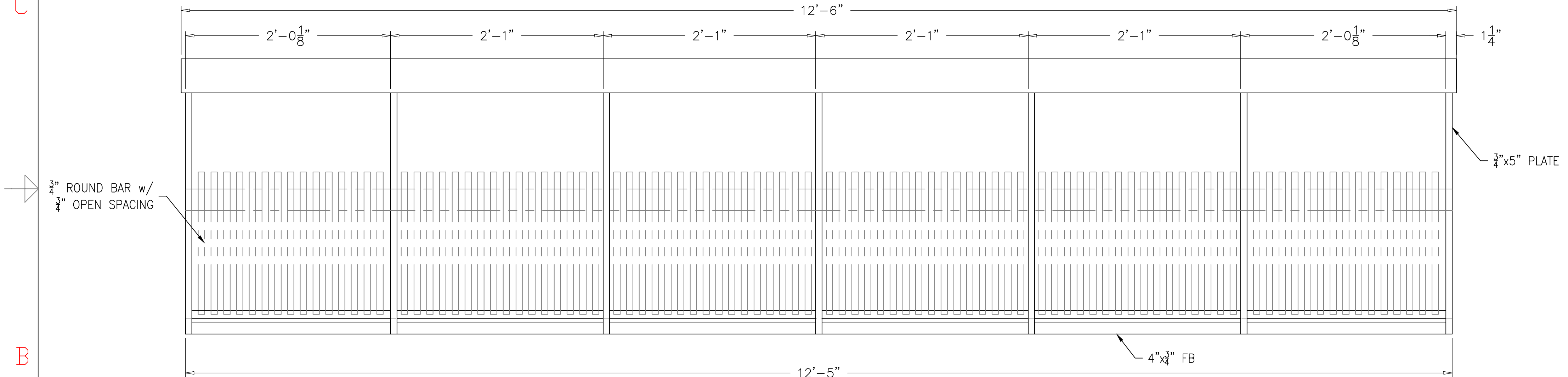
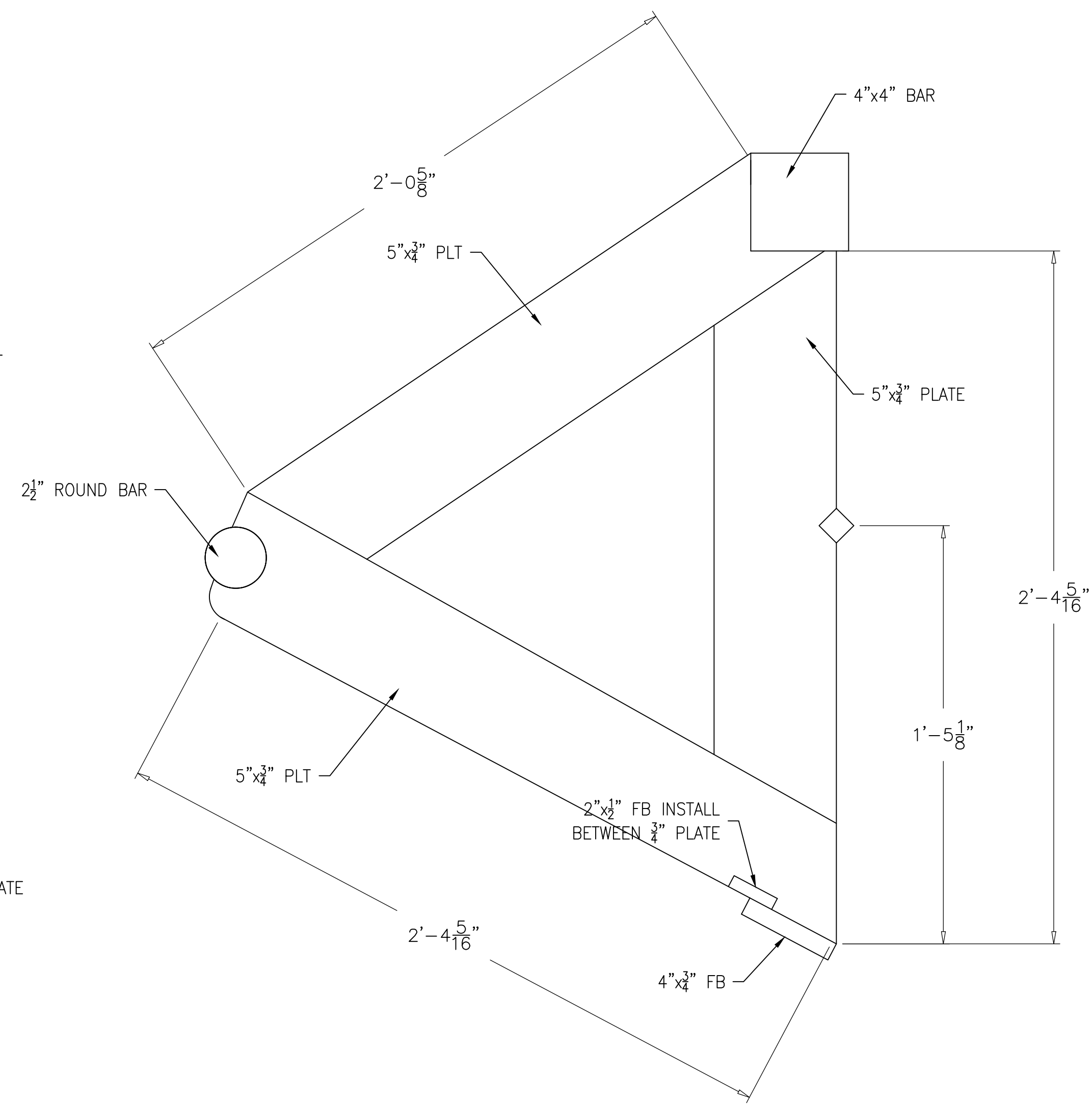
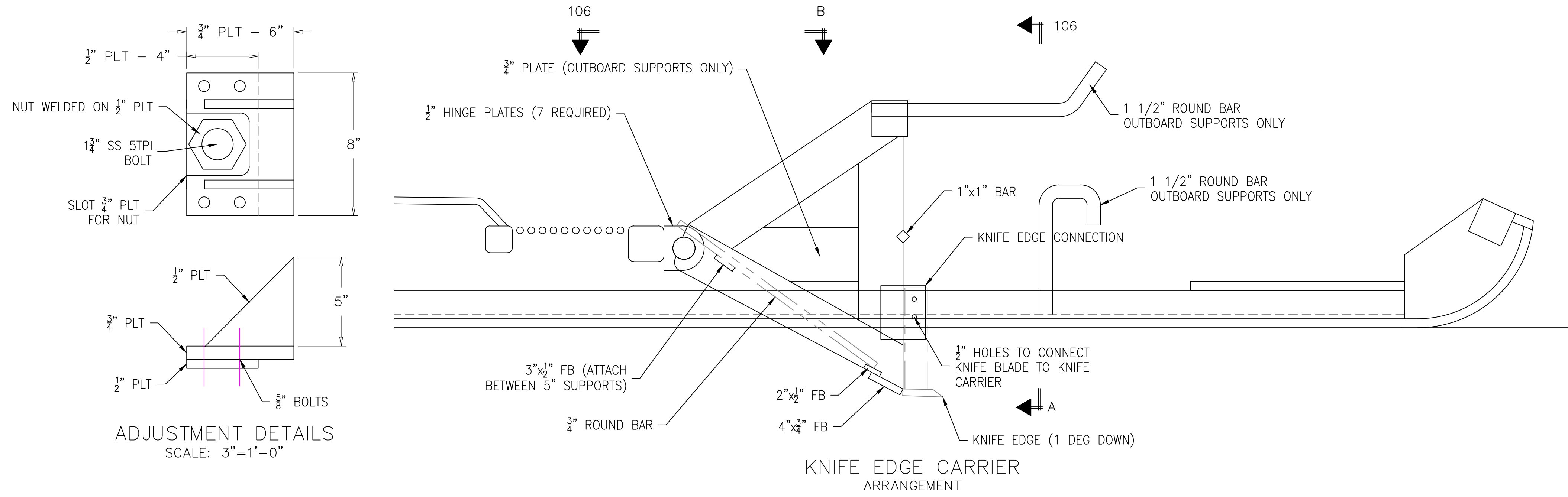
SLIDING DOG ASSEMBLY
SCALE: 3"=1'-0"



ALT	REVISION	DATE:
THIS DRAWING/DOCUMENT IS CONFIDENTIAL AND THE PROPERTY OF THOMAS M. FARRELL AND GARRETT NORTON AND MUST NOT BE USED FOR MANUFACTURE, COPIED OR COMMUNICATED TO ANY OTHER PERSON WITHOUT EXPRESS PERMISSION.		
FARRELL & NORTON NAVAL ARCHITECTS		
NAVAL ARCHITECTS AND MARINE ENGINEERS		
PO BOX 66 (207) 563-3210 (THOMAS)		NEWCASTLE, ME 04553 (617) 308-1074 (GARRETT)
CONSTRUCTION SECTION DETAILS		
PROJECT: SELECTIVITY DREDGE		
DRAWN BY: TMF	DATE: 02/25/18	
APPROVED BY: GJN	SCALE: 3/4" = 1'-0"	
DWG #: C-680-104	ALT: 0	



1	-MODIFIED NOZZLE GUARDS	08/17/18
ALT	REVISION	DATE:
THIS DRAWING/DOCUMENT IS CONFIDENTIAL AND THE PROPERTY OF THOMAS M. FARRELL AND GARRETT NORTON AND MUST NOT BE USED FOR MANUFACTURE, COPIED OR COMMUNICATED TO ANY OTHER PERSON WITHOUT EXPRESS PERMISSION.		
FARRELL & NORTON NAVAL ARCHITECTS		
NAVAL ARCHITECTS AND MARINE ENGINEERS		
PO BOX 66 (207) 563-3210 (THOMAS)		NEWCASTLE, ME 04553 (617) 308-1074 (GARRETT)
SPRAY MANIFOLD DETAILS		
PROJECT: SELECTIVITY DREDGE		
DRAWN BY: TMF	DATE: 02/25/18	
APPROVED BY: GJN	SCALE: 1 1/2" = 1'-0"	
DWG #: C-680-105	ALT: 1	



2	- ADDED ADJUSTMENT DETAIL	08/17/18
1	- CHANGED ANGLE OF KNIFE EDGE	08/13/18
ALT	REVISION	DATE:
THIS DRAWING/DOCUMENT IS CONFIDENTIAL AND THE PROPERTY OF THOMAS M. FARRELL AND GARRETT NORTON AND MUST NOT BE USED FOR MANUFACTURE, COPIED OR COMMUNICATED TO ANY OTHER PERSON WITHOUT EXPRESS PERMISSION.		
FARRELL & NORTON NAVAL ARCHITECTS		
NAVAL ARCHITECTS AND MARINE ENGINEERS		
PO BOX 66		NEWCASTLE, ME 04553
(207) 563-3210 (THOMAS)		(617) 308-1074 (GARRETT)
KNIFE EDGE ASSEMBLY DETAILS		
PROJECT: SELECTIVITY DREDGE		
DRAWN BY: TMF	DATE: 02/25/18	
APPROVED BY: GJN	SCALE: 1 1/2" = 1'-0"	
DWG #: C-680-106	ALT: 2	